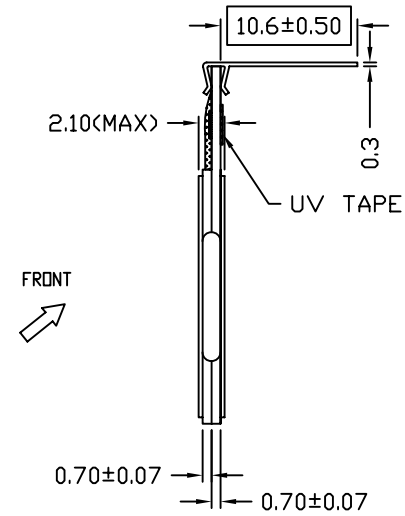
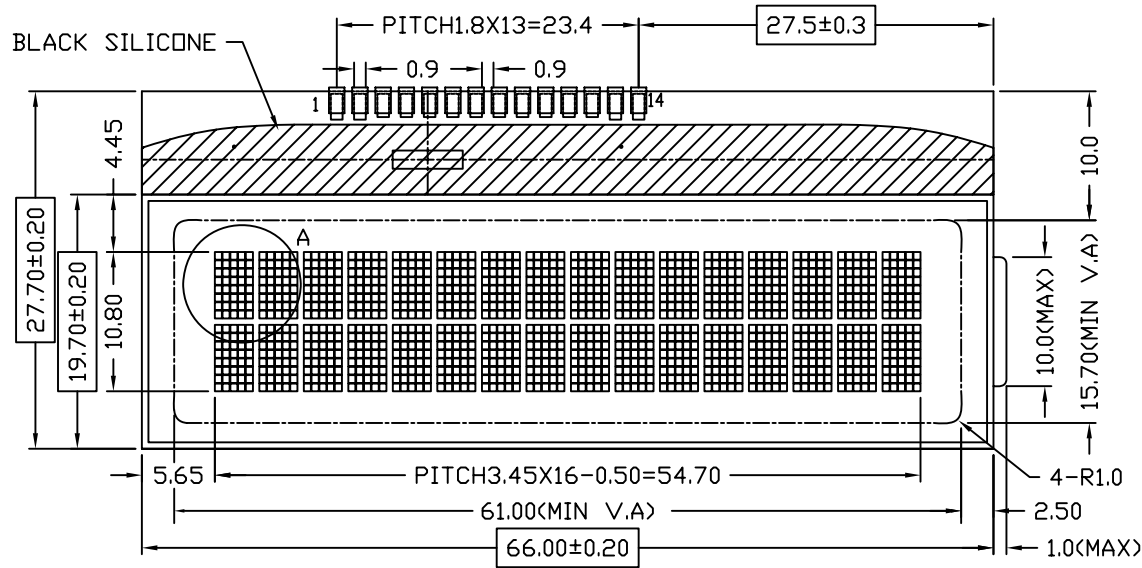


REV	DESCRIPTION
G-2	

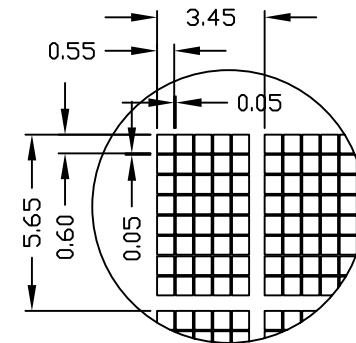


1	2	3	4	5	6	7	8	9	10	11	12	13	14
V _{SS}	V _{DD}	V _O	RS	R/W	E	DB0	DB1	DB2	DB3	DB4	DB5	DB6	DB7

NOTES:

1. DISPLAY TYPE: FSTN MODE
2. VIEWING DIRECTION: 6:00
3. POLARIZER MODE: REFLECTIVE/POSITIVE
4. OPERATING TEMP: -20°C--+70°C
5. STORAGE TEMP: -30°C--+80°C
6. VDD: 5.0V
7. LCD OPERATING VOLTAGE: 3.3V
8. DRIVE METHOD: DUTY 1/16 BIAS 1/5
9. CONTROLLER: S6A0032X01-BOCY
10. ALL UNMARKED TOLERANCES: ±0.3mm
11. PIN CONNECTOR
12. WITHOUT BACKLIGHT
13. THE CONTROLLED DIMENSIONS MASK TO BE
14. REQUIREMENTS ON ENVIRONMENTAL PROTECTION ROHS

DETAIL A:



MULTI-INNO TECHNOLOGY CO.,LTD.

DRAWN BY:	TITLE: MI1602H-G	▶ ⊕
CHECKED BY:	PURPOSE: G-2	
APPROVED BY:	UNIT: mm	SCALE: 1:1
CONFIRMED BY:	SHEET NO: 1 OF 1	