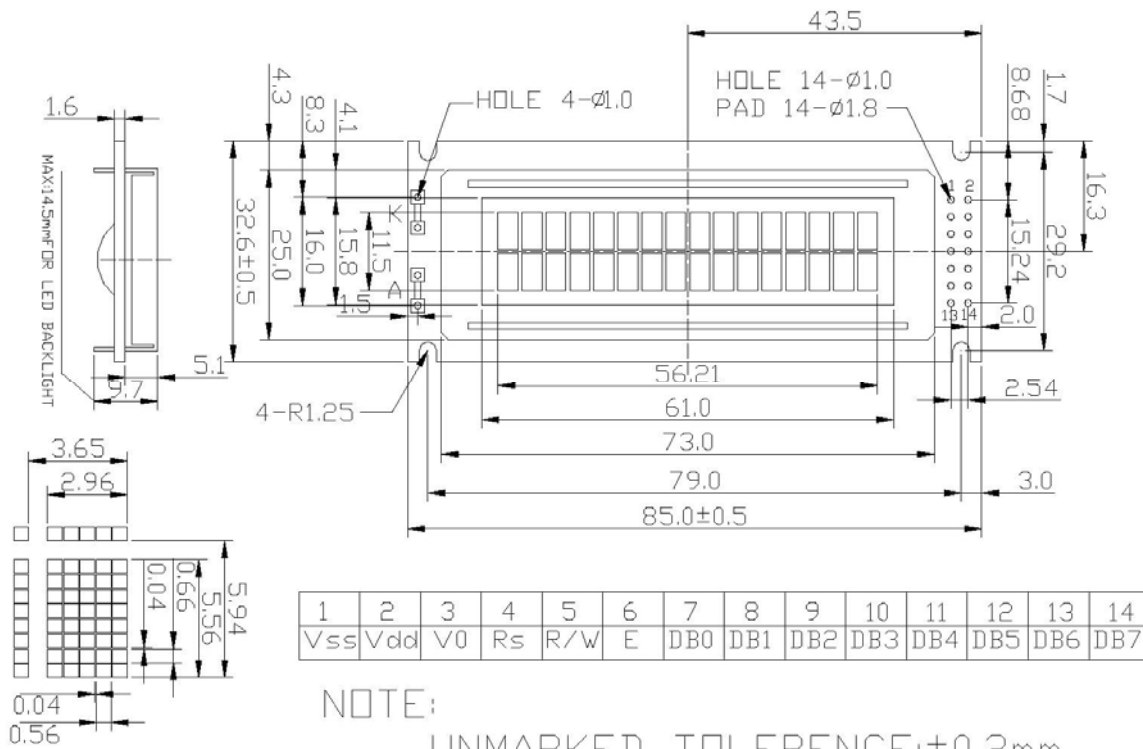


OUTLINE DRAWING:



General Description:

- 16 Characters x 2 lines character LCD Module
- STN/TN optional; STN: Yellow-Green, Gray and FSTN optional; TN Negative
- Reflective, Transflective and Transmissive optional.
- Viewing Angle: 6 :00 or 12:00
- Driving duty: 1/16 Duty, 1/5 bias.
- 'SAMSUNG' KS0070B-00 LCD Controller & Driver or equivalent.
- 4-bit MPU interface.
- Power Supply: +5.0V.
- LED backlight.

Block Diagram:

