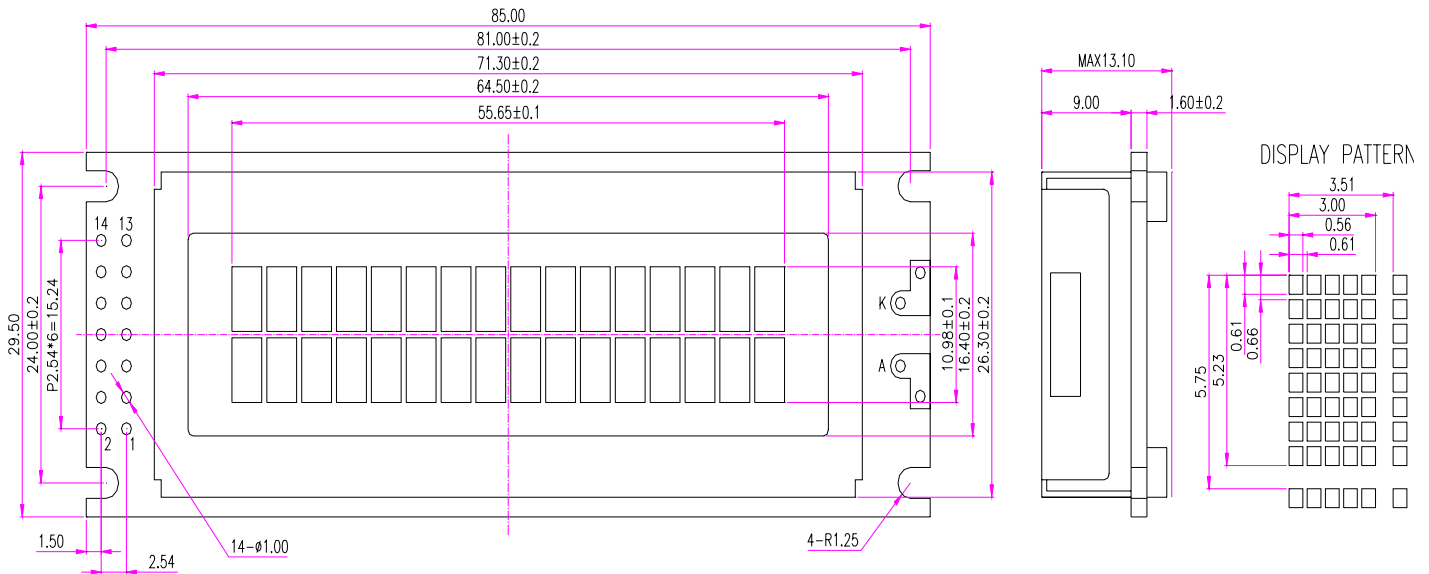
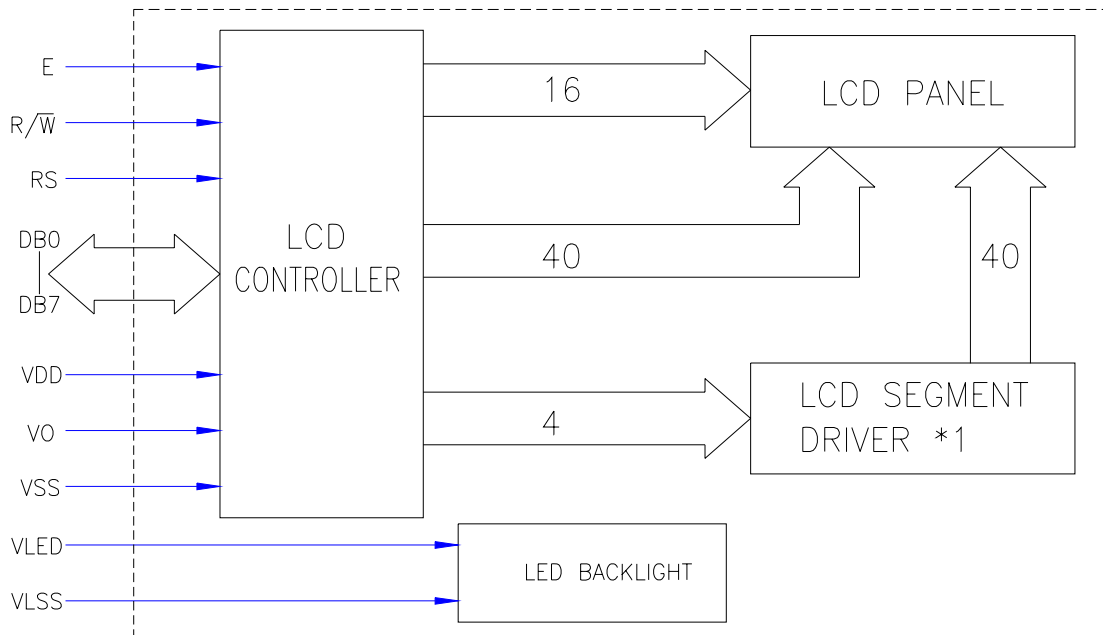
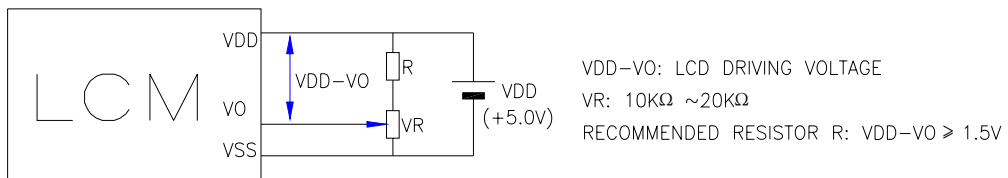


OUTLINE DIMENSION:



BLOCK DIAGRAM:



NOTES:

1. DISPLAY TYPE: STN, YELLOW-GREEN MODE, TRANSFLECTIVE/POSITIVE.
2. DRIVE: KS0066U OR EQUIVALENT
3. VIEWING ANGLE: 6 O'CLOCK
4. BACK LIGHT: Y-G LIGHT BOTTOM
5. PIN CONNECTION:

1	2	3	4	5	6	7	8	9	10	11	12	13	14
VDD	VSS	VO	RS	R/W	E	DB0	DB1	DB2	DB3	DB4	DB5	DB6	DB7

6. OPERATING TEMP: -20~70°C.
7. STORAGE TEMP: -30~80°C.
8. RoHS