

PIN CONNECTION:

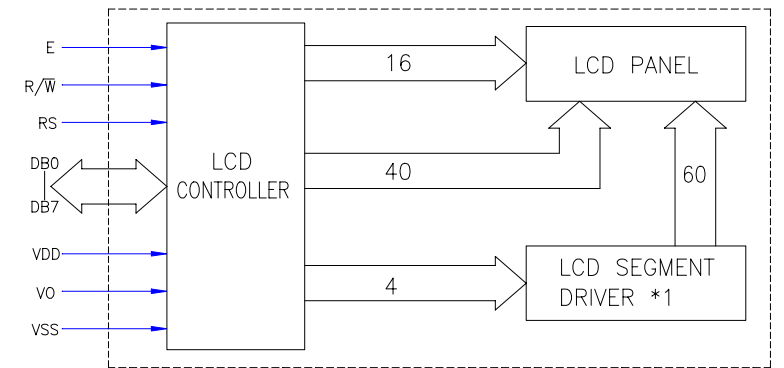
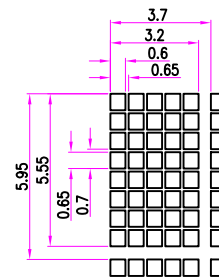
1	2	3	4	5	6	7	8	9	10	10	12	13	14	15	16
VSS	VDD	VO	RS	R/W	E	DB0	DB1	DB2	DB3	DB4	DB5	DB6	DB7	NC	NC

2. DISPLAY DATA ADDRESS:

CHARACTER	1	2	3	4	5	6	7	8	9	10	11	12	13	14	15	16	17	18	19	20
LINE 1	80	81	82	83	84	85	86	87	88	89	8A	8B	8C	8D	8E	8F	90	91	92	93
LINE 2	C0	C1	C2	C3	C4	C5	C6	C7	C8	C9	CA	CB	CC	CD	CE	CF	D0	D1	D2	D3

NOTES:

1. DISPLAY TYPE: STN, GRAY MODE, TRANSLFLECTIVE/POSITIVE.
2. DRIVE METHOD: 1/16DUTY, 1/5BIAS, VDD=5.0 V, VOP=4.2 V,
3. VIEWING DIRECTION: 6 O'CLOCK.
4. IC DRIVER: KS0066U AND KS0063B OR EQUIVALENT.
5. OPERATING TEMP: -10 °C ~ 50 °C.
6. STORAGE TEMP: -20 °C ~ 60 °C.
7. BACKLIGHT TYPE: LED BACKLIGH (Y-G) BOTTOM MODE.
8. UNMARKED TOLERANCES: ±0.5.
9. ROHS COMPLIANT



CUSTOMER APVL		DATE	
DRAWN		SCALE	TITLE
DFTG CHK		UNIT	M12002L
ENGR CHK		mm	MODEL
APPROVAL			
MULTI-INNO TECHNOLOGY CO.,LTD.			DWG NO
			PAGE 1/1