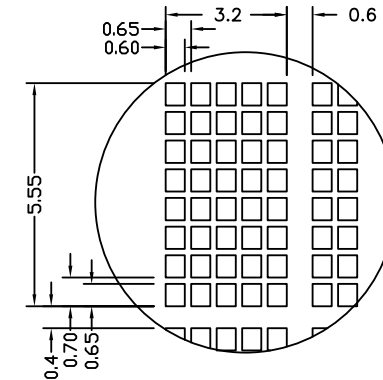


1	2	3	4	5	6	7	8	9	10	11	12	13	14	15	16
V _{SS}	V _{CC}	V _{EE}	RS	R/W	E	DB0	DB1	DB2	DB3	DB4	DB5	DB6	DB7	LED+	LED-

NOTES:

- 1.DISPLAY TYPE: STN/BLUE MODE
- 2.VIEWING DIRECTION: 6:00
- 3.POLARIZER MODE: TRANSMISSIVE/NEGATIVE
- 4.DRIVE METHOD: 1/16 DUTY 1/5 BIAS
- 5.LCD OPERATING VOLTAGE: 4.7V
- 6.OPERATING TEMP: -20°C-+70°C
- 7.STORAGE TEMP: -30°C-+80°C
- 8.CONTROLLER: S6A0069X01-COCX
- 9.BACKLIGHT TYPE: TWO LED(WHITE,7V,25mA)
- 10.BEZEL IS TO BE PAINTED BLACK
- 11.ALL UNMARKED TOLERANCE: ±0.3
- 12.REQUIREMENTS ON ENVIRONMENTAL PROTECTION ROHS
- 13.THE CONTROLLED DIMENTION MASK TO BE

DETAIL A:



MULTI-INNO TECHNOLOGY CO.,LTD.

DRAWN BY:	TITLE: MI2002N	
CHECKED BY:	DWG NO: G-2	
APPROVED BY:	DWG NAME:	UNIT: mm
CONFIRMED BY:	SHEET NO: OF	

G-2: ADD ENVIRONMENTAL PROTECTION REQUIREMENTS