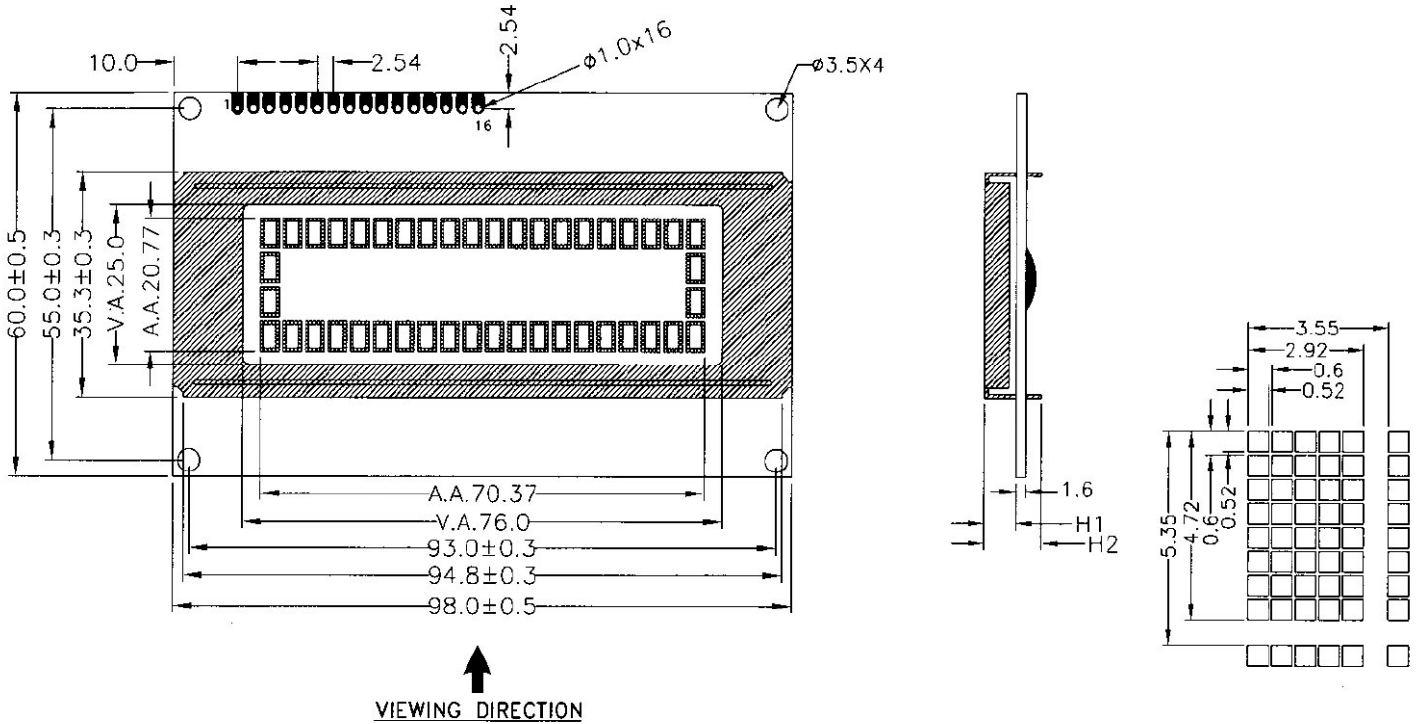
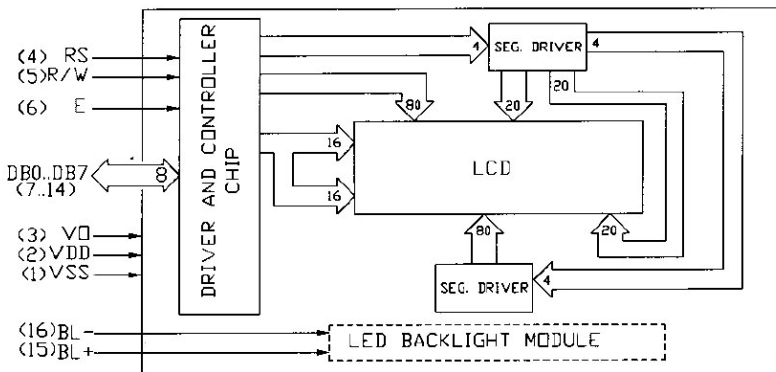


MI2004E

OUTLINE DIMENSION:



BLOCK DIAGRAM and PIN ASSIGNMENT:



PIN NUMBER	SYMBOL	I/O	FUNCTION
1	VSS	-	0V Power Supply
2	VDD	-	5V Power Supply
3	VO	I	LCD Drive, 0V to VDD
4	RS	I	Register Select Input
5	R/W	I	Read/Write
6	E	I	Enable Signal
7	DB0	I/O	Data Bus Line
8	DB1	I/O	Data Bus Line
9	DB2	I/O	Data Bus Line
10	DB3	I/O	Data Bus Line
11	DB4	I/O	Data Bus Line
12	DB5	I/O	Data Bus Line
13	DB6	I/O	Data Bus Line
14	DB7	I/O	Data Bus Line
15	BL+	I	Backlight Supply terminal (+)
16	BL-	I	Backlight Supply terminal (-)