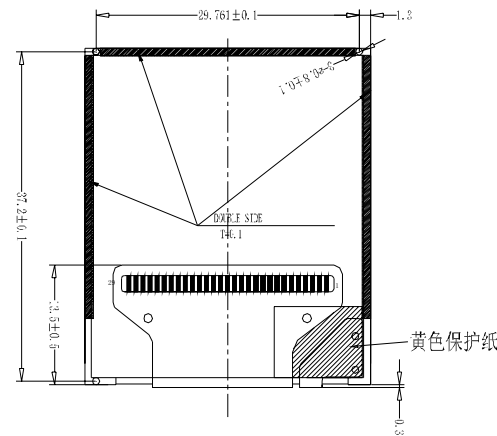
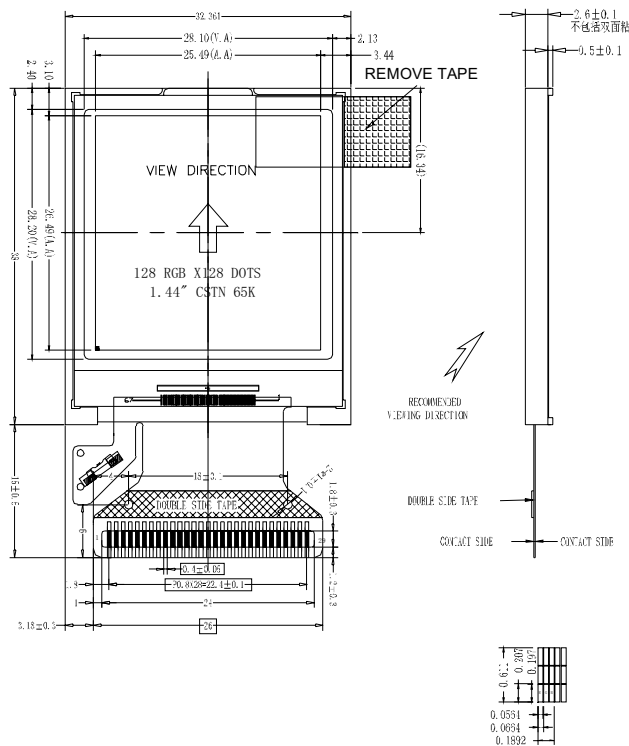




Customer No. :



序	说明
1	屏
2	屏
3	屏
4	屏
5	屏
6	屏
7	屏
8	屏
9	屏
10	屏
11	屏
12	屏
13	屏
14	屏
15	屏
16	屏
17	屏
18	屏
19	屏
20	屏
21	屏
22	屏
23	屏
24	屏
25	屏
26	屏
27	屏
28	屏
29	屏
30	屏

弯折后参考图，背光灯我司弯折，主屏FPC展开出货

黄色保护纸

NOTES:

- DISPLAY TYPE:  
Main LCD: TRANSMISSIVE/NEGATIVE,6:00 O'CLOCK
  - OPERATING TEMP: -20° C~70° C
  - STORAGE TEMP : -30° C~80° C
  - MAIN LCD DRIVER: ST7687S
  - ROHS COMPLIANCY
  - BACKLIGHT:1CHIP-WHITE LED
  - (\*) 为参考尺寸
- TOLERANCE OF SEGMENTS TO EDGE OF GLASS: ±0.2MM

CUSTOMER APPROVE		AMEND		TOLERANCE: DECIMAL .x ± .30 .xx ± .20 ∠ ± 1/4°
Mechanical	Electrical			
		△		
		△		
		△		
		△	在128128-73基础上更换IC	
NO.	CONTENT		DATE	

MULTI-INNO TECHNOLOGY CO.,LTD.			
PRODUCT NO.	DRAW NO.	REV	
MI128128VK		A	
DWN 20080429	DSN 20080429		
CHKD 20080429	APPD 20080429		
NOT IN SCALE	UNIT mm	SHEET:	