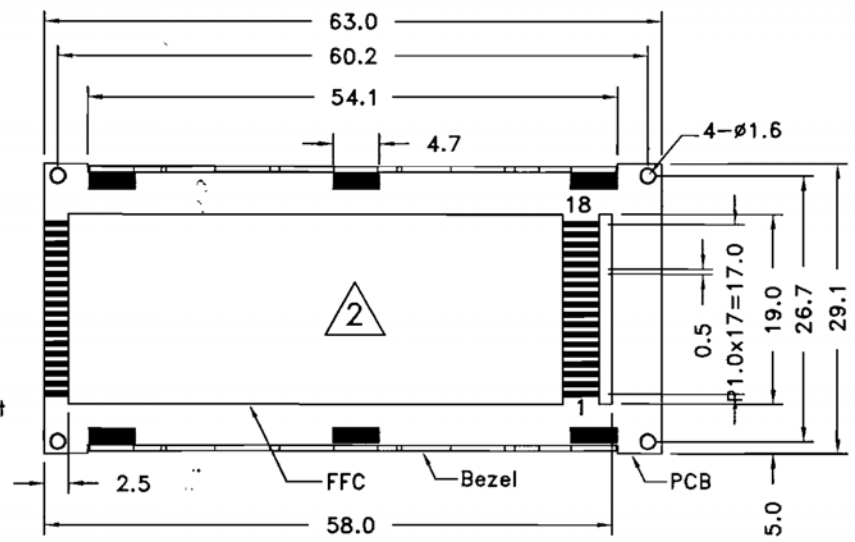
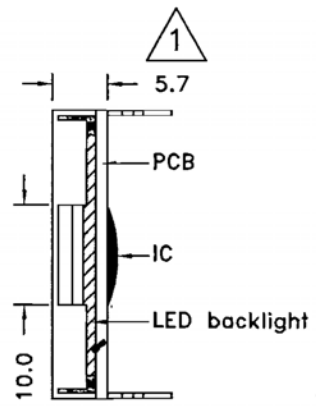
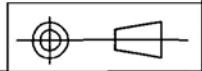
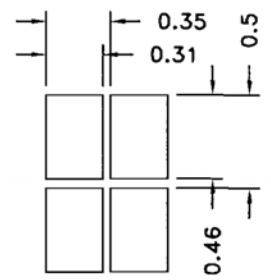
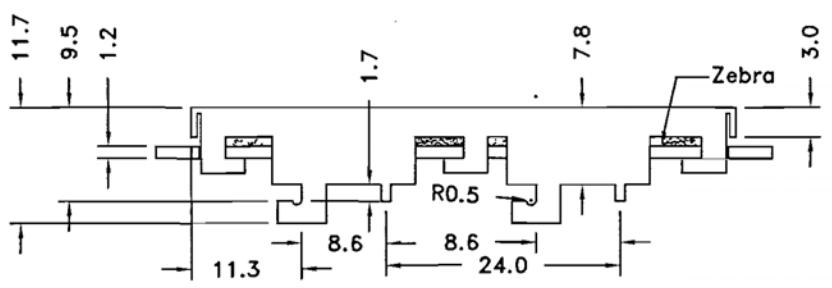


TOP



BOTTOM



TOLERANCE IF NOT SPECIFY ±0.2mm		SCALE NOT ON SCALE	UNIT IN mm	MULTI-INNO TECHNOLOGY CO.,LTD.			SHEET 1 OF 3
REV.	REVISION RECORD	DATE	CUSTOMER	APPROVED	MODEL NO.	M112232H	
00	1st ISSUE	27-JUN-07	STANDARD		TITLE:	DIMENSION	
01	Change BZ Size	11-JUL-07	AGENT	APPROVED	DRAWN BY:	DATE : 07.08.22	
02	Revise FFC location	17-AUG-07			CHECKED BY :	DATE : 07.8.22	
03	Change LCD voltage	22-AUG-07	CUSTOMER REF.	OUR REF. ZX4027	APPROVED BY :	DATE : 07.08.22	