

NOTES:

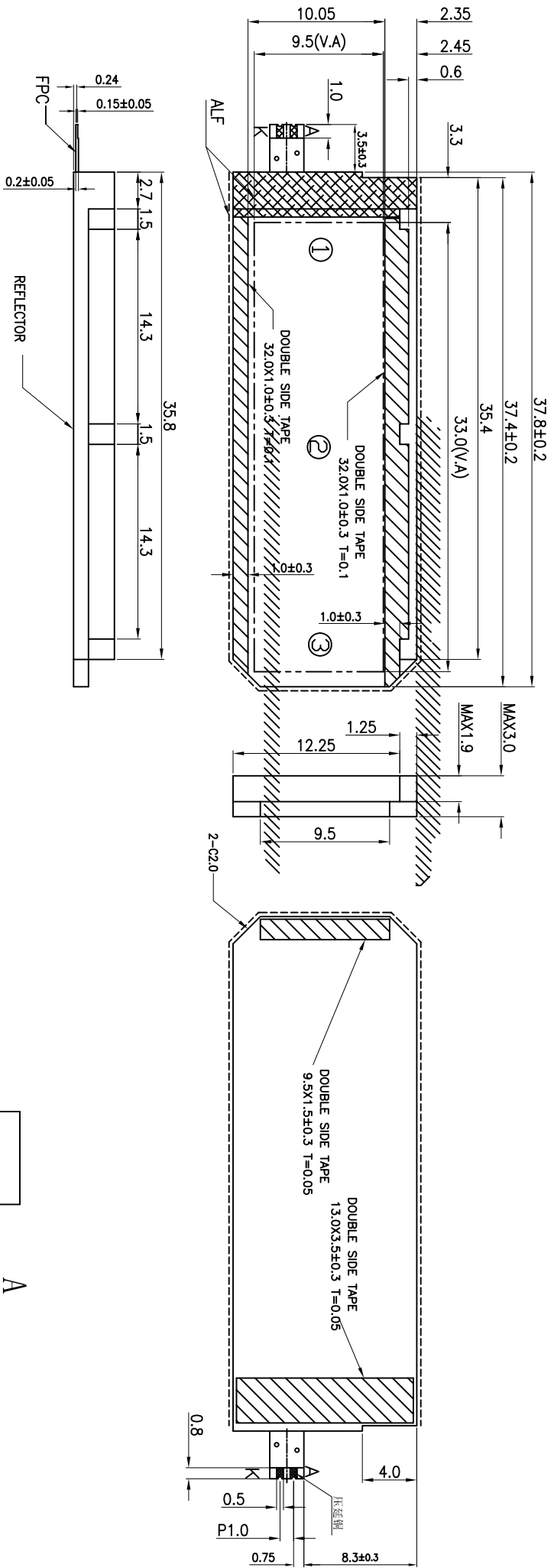
1. DISPLAY TYPE: FSTN, TRANSFLECTIVE/POSITIVE.
2. DRIVE METHOD: 1/33DUTY, 1/6BIAS, VDD=3.0 V, VOP=4.8 V,
3. VIEWING DIRECTION: 6 O'CLOCK.
4. IC DRIVER: ST7565R OR EQUIVALENT.
5. OPERATING TEMP: -20 °C ~ 70 °C.
6. STORAGE TEMP: -30 °C ~ 80 °C.
7. BACKLIGHT TYPE: LED BACKLIGHT Y-G EDGE MODE.
8. ALL UNMARKED TOLERANCES: ±0.2mm
9. RoHS COMPLANTS.

PIN CONNECTION:

PIN	1	2	3	4	5	6	7	8	9	10	11	12	13	14
DESC	VDD	C86	NC	V0	V1	V2	V3	V4	CAP2N	CAP2P	CAP1P	CAP1N	CAP3P	VOUT
PIN	15	16	17	18	19	20	21	22	23	24	25	26	27	28
DESC	VSS	D7	D6	D5	D4	D3	D2	D1	D0	/RD(E)	/WR(R/W)	A0	/RES	/CS1

--	增加FPC厚度
----	---------

05	更改背光FPC结构和产品型号	CUSTOMER APVL	DATE
--	更改VOP电压改为4.8V	DRAWN	SCALE
--	更改页码	DFTG CHK	UNIT mm
03	依客户要求更改LED	ENGR CHK	
02	依客户要求更改LED	APPROVAL	
01	依客户要求更改	MULTI-INNOTECHNOLOGYCO.,LTD.	
VERSION	MODIFYCONTENT		
		DWG NO 05	PAGE 1-1/6

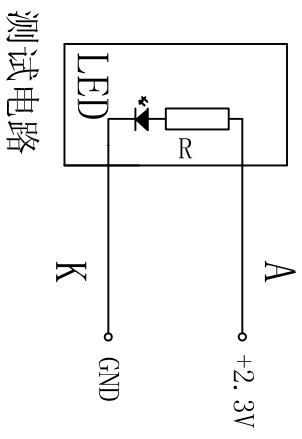


ELECTRICAL/OPTICAL CHARACTERISTICS (T=25°C) :

ITEM	MIN.	TYPE	MAX.	UNIT	CONDITION
Forward Voltage	2.2	2.3	2.4	V	
Forward Current	12	15	15	mA	2.3V
Power Dissipation	27.5	36	36	mW	
Luminance	21	30	-	cd/m <sup>2</sup>	2.3V
Wave length Range	569	571	573	nm	Y-G
Operating Temp Range	-30		70	°C	
Storage Temp Range	-40		80	°C	

Unmarked tolerance ±0.2

备注：亮度值为图示5个测试点的平均值，  
亮度偏差为±30%，均匀度≥70%  
测试条件以测试电路为准。  
符合RoHS标准.



VERSION	MODIFYCONTENT	CUSTOMER APVL	DATE
--	增加FPC厚度尺寸公差		
03	更改背光电阻参数及FPC PITCH	DRAWN	
02	更改FPC PITCH为1.9及底部焊盘宽度	DFTG CHK	
01	更改FPC PITCH为1.5	ENGR CHK	
--	更改电阻参数及测试电路	APPROVAL	
--	更改页码		
VERSION	MODIFYCONTENT		

SCALE	UNIT	TITLE	MODEL	DWG NO	PAGE
	mm	LED BACKLIGHT FOR M12882D-G-3	90-0080-03/R	03	3-1/6

MULTI-INNO TECHNOLOGY CO.,LTD.