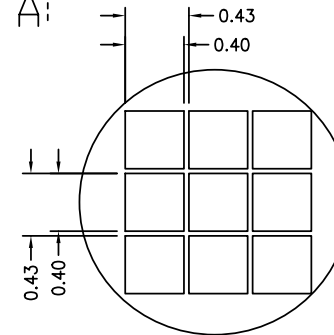


DETAIL A:



1	2	3	4	5	6	7	8	9	10
V <sub>DD</sub>	V <sub>SS</sub>	V <sub>EE</sub>	DB0	DB1	DB2	DB3	DB4	DB5	DB6
11	12	13	14	15	16	17	18	19	20
DB7	CS1	CS2	RST	R/W	D/I	E	F <sub>GND</sub>	A	K

NOTES:

- 1. DISPLAY TYPE: STN/B-W MODE
- 2. VIEWING DIRECTION: 6:00
- 3. POLARIZER MODE: TRANSFLECTIVE/POSITIVE
- 4. DRIVE METHOD: 1/64 DUTY 1/9 BIAS
- 5. LCD OPERATING VOTAGE: 13.5V
- 6. OPERATING TEMP: -20°C~+70°C
- 7. STORAGE TEMP: -30°C~+80°C
- 8. CONTROLLER: SBN6400G&SBN0064G
- 9. BACKLIGHT: LED
- 10. BEZEL IS TO BE PAINTED BLACK
- 11. UNMARKED TOLERANCE: ±0.3mm
- 12. REQUIREMENTS ON ENVIROUNENTAL PROTECTION: RoHS