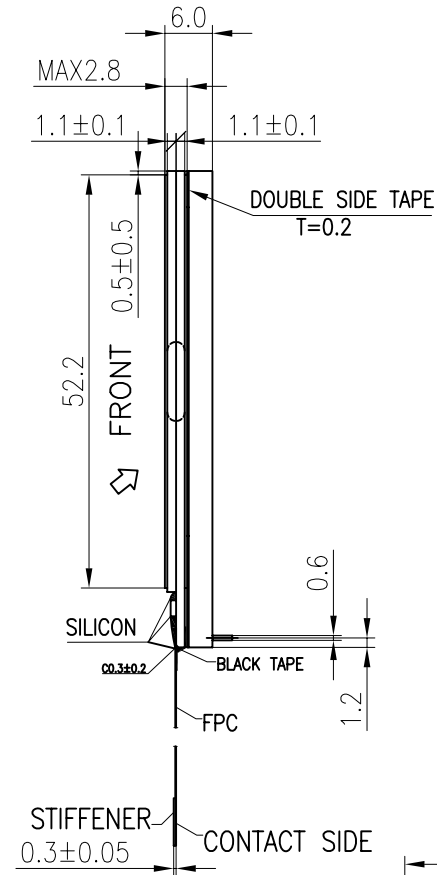


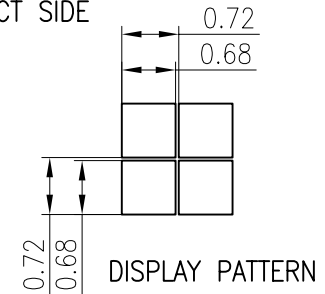
NOTES:

1. DISPLAY TYPE: STN GRAY MODE, TRANSFLECTIVE/POSITIVE.
2. DRIVEMETHOD: DUTY=1/65, BIAS=1/9, VDD=3.0V, VOP=11V.
3. VIEWING DIRECTION: 6 O'CLOCK.
4. DRIVER: ST7565P.
5. OPERATING TEMP: 0°C ~ 50°C.
6. STORAGE TEMP: -20°C ~ 70°C.
7. BACKLIGHT: LED EDGE MODE WHITE.
8. UNMARKED TOLERANCE: ±0.3mm.
9. RoHS COMPLIANT.



PIN CONNECTION:

NO.	SYMBOL	NO.	SYMBOL
1	CS1	15	VSS
2	RESET	16	VOUT
3	RS	17	C4+
4	RW	18	C3+
5	E	19	C1-
6	D0	20	C1+
7	D1	21	C2+
8	D2	22	C2-
9	D3	23	V1
10	D4	24	V2
11	D5	25	V3
12	D6(SCLK)	26	V4
13	D7(SID)	27	V0
14	VDD	28	PS



--	更换IC
VERSION	MODIFYCONTENT

CUSTOMER APVL		DATE	TITLE	
DRAWN		SCALE	MODULE	
DFTG CHK		UNIT		
ENGR CHK		mm	MODEL	
APPROVAL			MI13265D-G	
MULTI-INNO TECHNOLOGY CO.,LTD.			DWG NO	PAGE
			00	1/5