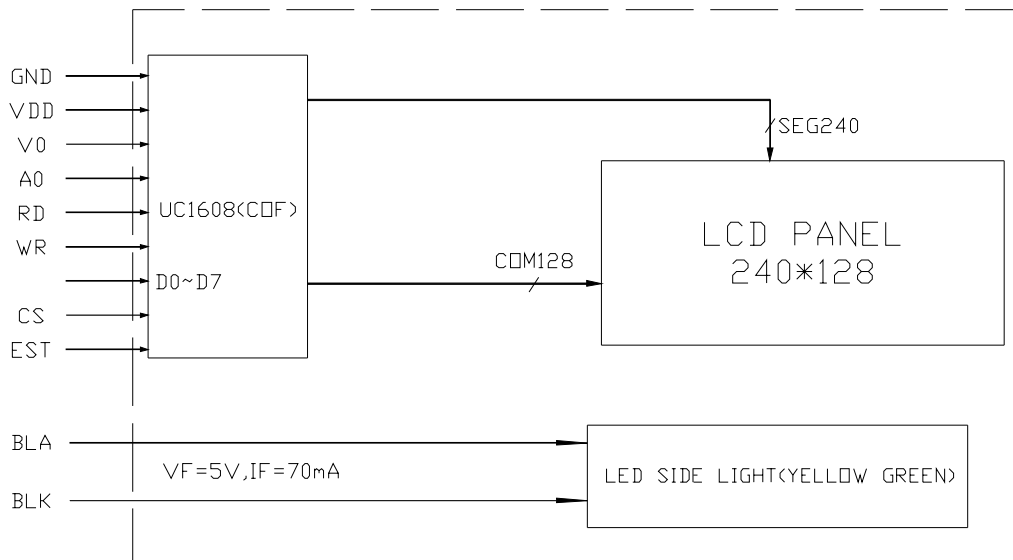


1	2	3	4	5	6	7	8	9	10	11	12	13	14	15	16	17	18
GND	VDD	V0	A0	RD	WR	D0	D1	D2	D3	D4	D5	D6	D7	CS	RST	BLA	BLK



NOTES:

- Operating Temperature  $-20^{\circ}\text{C}$  TO  $70^{\circ}\text{C}$   
Storage Temperature  $-25^{\circ}\text{C}$  TO  $80^{\circ}\text{C}$
- Polarizer Type: R  F  T