

GENERAL DESCRIPTION

Display mode : 240 x 128 dots, graphic TAB LCD module with side-lit LED backlight
 Interface : 4-bit parallel
 Driving method : 1/160 duty, 1/13 bias
 Driver IC : Novatek NT7701, NT7702 or equivalent

For the detailed information, please refer to the IC specifications.

FIGURE 1. COUNTER DRAWING FOR GENERAL MODULE

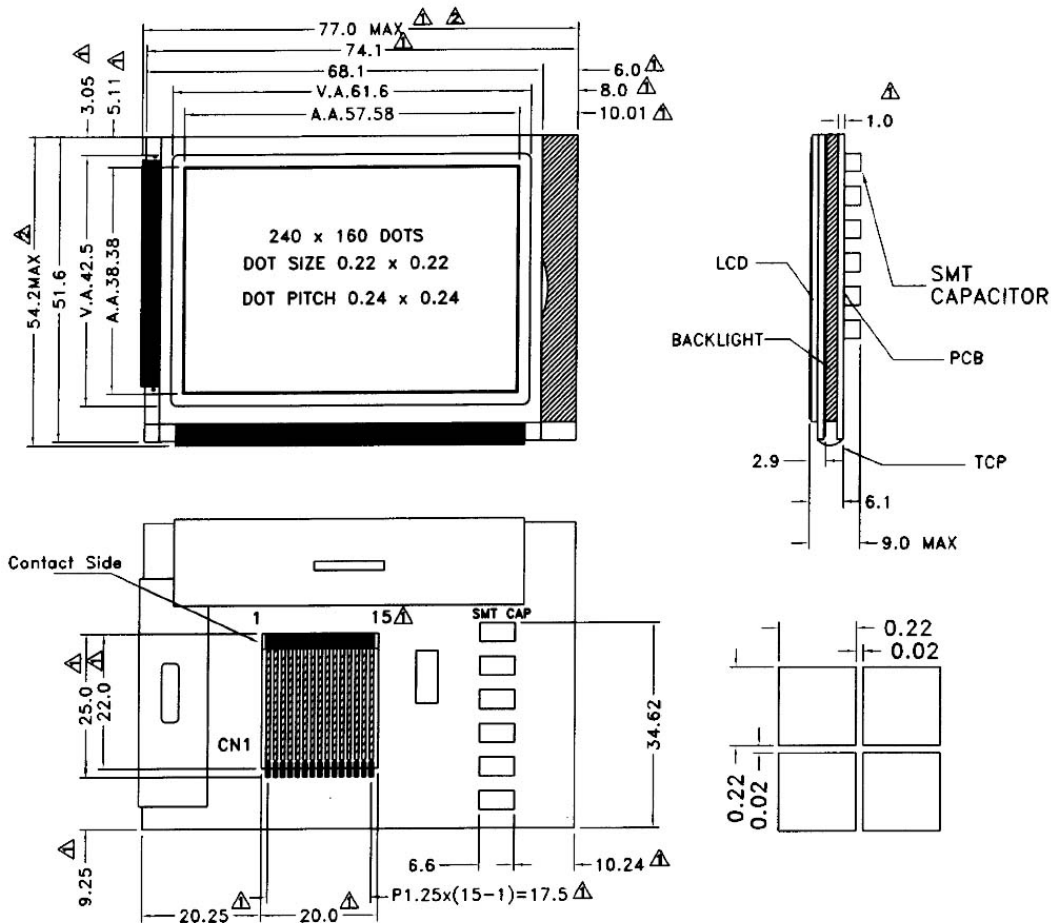
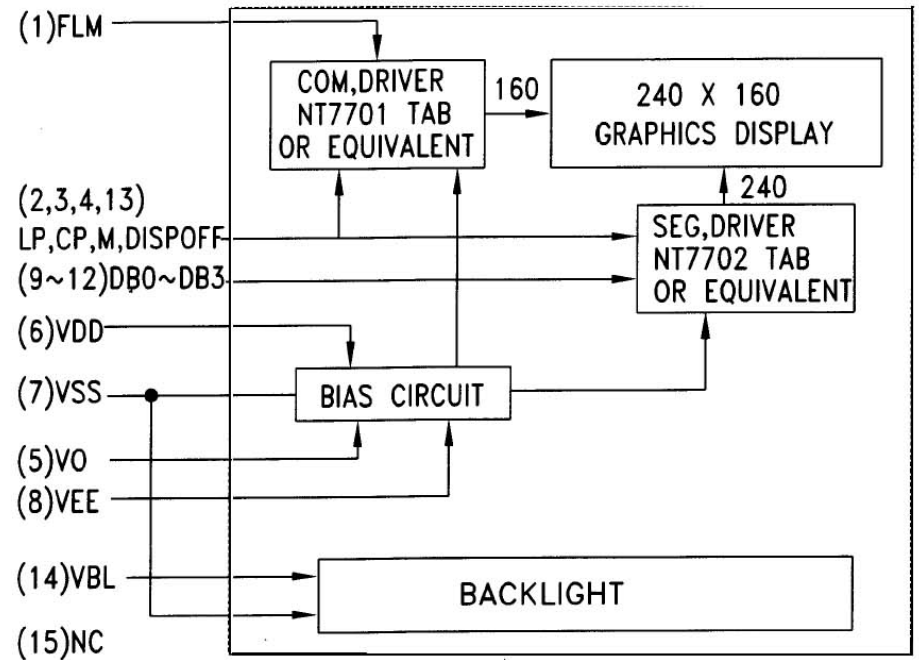


FIGURE 2. BLOCK DIAGRAM.



pin	1	2	3	4	5	6	7	8
symbol	FLM	LP	CP	M	VO	VDD	VSS	VEE
pin	9	10	11	12	13	14	15	-
symbol	DB0	DB1	DB2	DB3	DISPOFF	VBL	NC	-