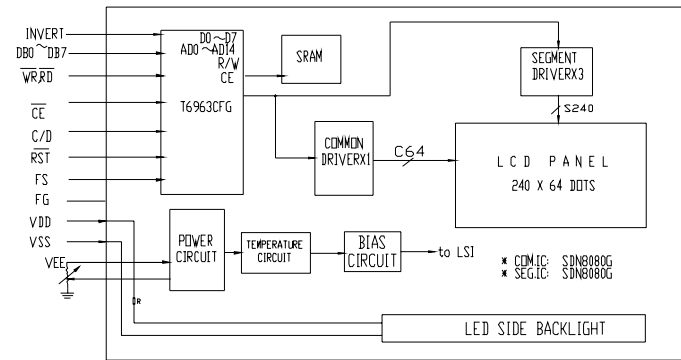


CNI																			
1	2	3	4	5	6	7	8	9	10	11	12	13	14	15	16	17	18	19	20
FG	VSS	VDD	VEE	WR	RD	CE	C/D	NC	RST	DB0	DB1	DB2	DB3	DB4	DB5	DB6	DB7	FS	INVERT



NOTES:

- 1: OPERATING TEMPERATURE: -20°C TO 70°C
STORAGE TEMPERATURE: -30°C TO 80°C
2. LCD MODEL: STN/BLUE/NEGATIVE/TRANSMISSIVE
3. 1/64 DUTY, 1/9 BIAS, V_{OP}=11.0V, V_{DD}=5.0V
4. VIEWING ANGLE: 6:00 O'CLOCK
5. LED SIDE B/L: WHITE; V=5.0V, I=160mA(TYP)
6. ROHS COMPLIANT
7. BEZEL IS TO BE PAINTED BLACK
8. (***) : REFERENCE