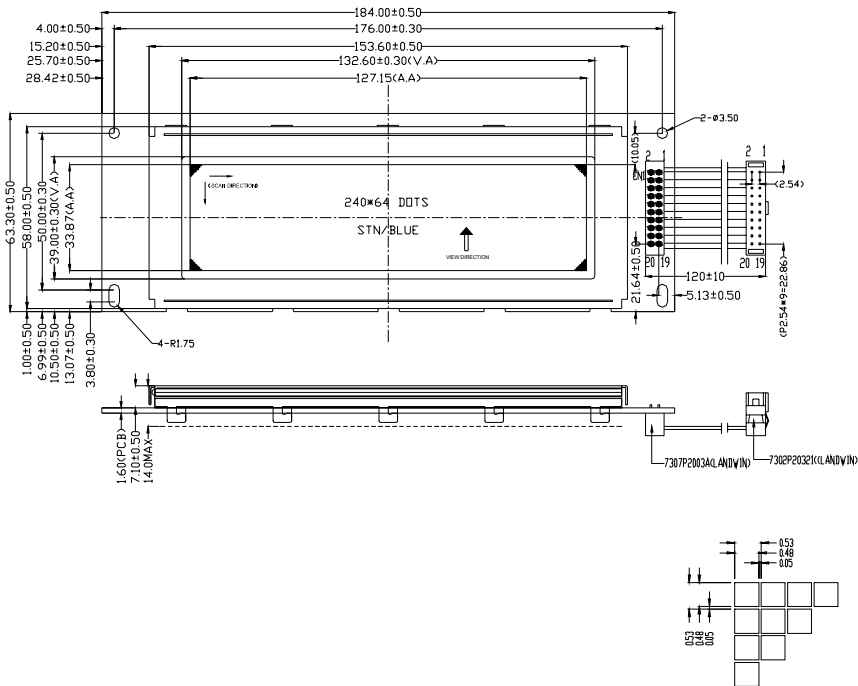




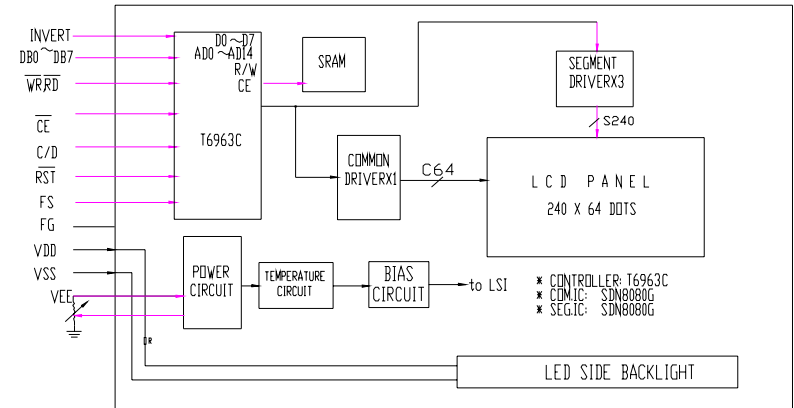
■ GENERAL INFORMATION

Item	Contents	Unit
LCD type	STN/BLUE/NEGATIVE/TRANSMISSIVE	/
Viewing direction	6:00	O' Clock
Module outline (W × H)	184 × 63.3	mm ²
Viewing area (W×H)	132.6 × 39.0	mm ²
Active area (W×H)	127.15 × 33.87	mm ²
Number of Dots	240 × 64	/
Dot size (W × H)	0.48 × 0.48	mm ²
Dot pitch (W × H)	0.53 × 0.53	mm ²
Controller	T6963C	/
Driver IC	SDN8080G	/
Backlight Type	LED	/
Interface Type	System parallel interface	/
Input voltage	5	V

■ EXTERNAL DIMENSIONS



CNI																			
1	2	3	4	5	6	7	8	9	10	11	12	13	14	15	16	17	18	19	20
FG	VSS	VDD	VEE	WR	RD	CE	C/D	NC	RST	DB0	DB1	DB2	DB3	DB4	DB5	DB6	DB7	FS	INVERT



NOTES:

- 1: OPERATING TEMPERATURE: -20°C TO 70°C
STORAGE TEMPERATURE: -30°C TO 80°C
2. LCD MODEL: STN/BLUE/NEGATIVE/TRANSMISSIVE
3. 1/64 DUTY, 1/9 BIAS, VDP=11.0V, VDD=5.0V
4. VIEWING ANGLE: 6:00 O'CLOCK
5. LED SIDE B/L: WHITE; V=5.0V, I=160mA(TYP)
6. ROHS COMPLIANT
7. BEZEL IS TO BE PAINTED BLACK
8. (*, **): REFERENCE