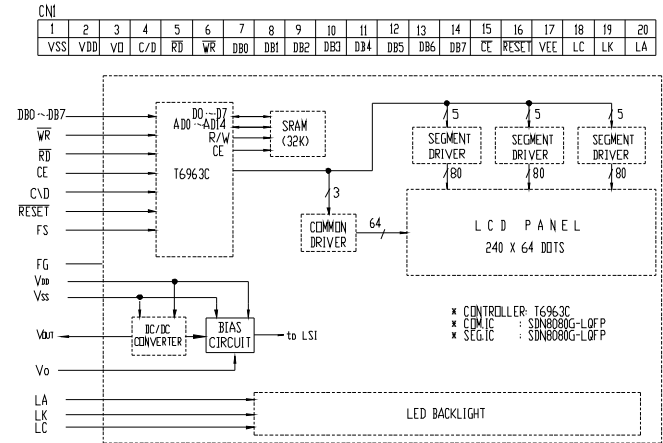


BLOCK DIAGRAM



- NOTES:
1. DISPLAY TYPE: STN/POSITIVE/GREY/TRANSFLECTIVE/6:00
 2. OPERATING TEMP: -20°C~70°C
STORAGE TEMP : -30°C~80°C
 3. 1/64 DUTY, 1/9 BIAS, V_{LCD}=8.5V, V_D=5V
 4. BACKLIGHT: YELLOW-GREEN LED, I_F=280mA MAX VF=4.1V
 5. COLOUR OF IRON FRAME: BLACK
 6. ROHS COMPLIANT