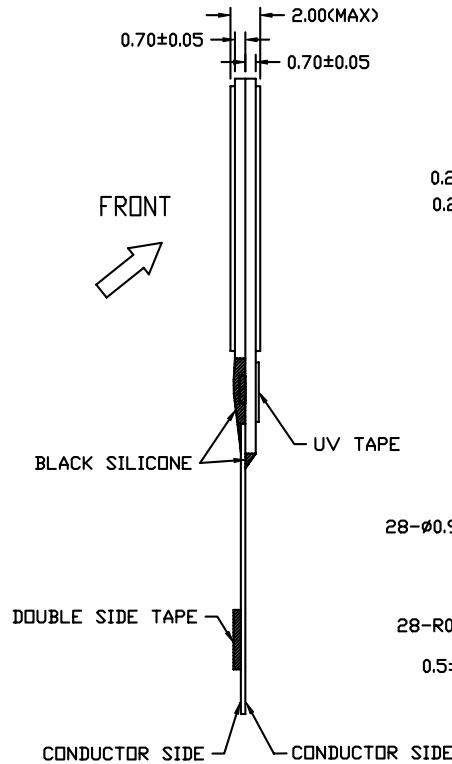
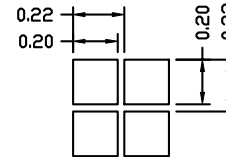


NOTES:

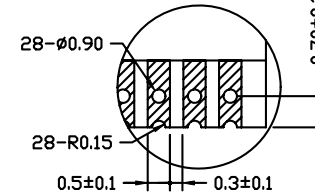
- 1. DISPLAY TYPE: FSTN
- 2. VIEWING DIRECTION: 6:00
- 3. POLARIZER MODE: TRANFLECTIVE/POSITIVE
- 4. LOGIC VOLTAGE: 3.0V
- 5. LCD OPERATING VOLTAGE: 9.0V
- 6. DRIVE METHOD: 1/65 DUTY 1/9 BIAS
- 7. OPERATING TEMP.: -20°C~+70°C
- 8. STORAGE TEMP.: -30°C~+80°C
- 9. CONTROLLER: SSD1815BZ
- 10. WITHOUT BACKLIGHT
- 11. UNMARKED TOLERANCES: ±0.3mm



DETAIL A:



DETAIL B:



NO.	PIN
1	VDD
2	C68
3	VSS
4	VL6
5	VL5
6	VL4
7	VL3
8	VL2
9	C2P
10	C2N
11	C1N
12	C1P
13	C3N
14	VEE
15	VSS
16	DB7
17	DB6
18	DB5
19	DB4
20	DB3
21	DB2
22	DB1
23	DB0
24	E/RD
25	R/W
26	D/C
27	/RES
28	/CS1

MULTI-INNO TECHNOLOGY CO.,LTD.

DRAWN BY:	TITLE: MI9664B-G	
CHECKED T	DWG NO: G-1	
APPROVED BY:		UNIT: mm
CONFIRMED BY:	DWG NAME:	SHEET NO: 1 OF 1