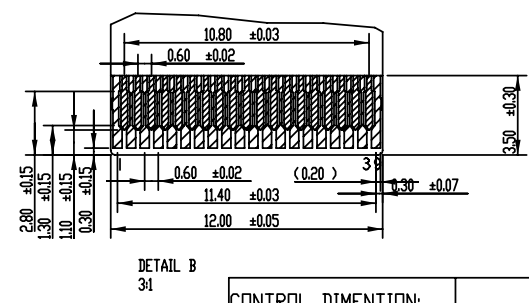
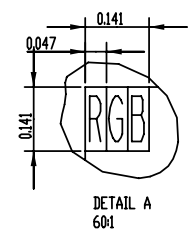
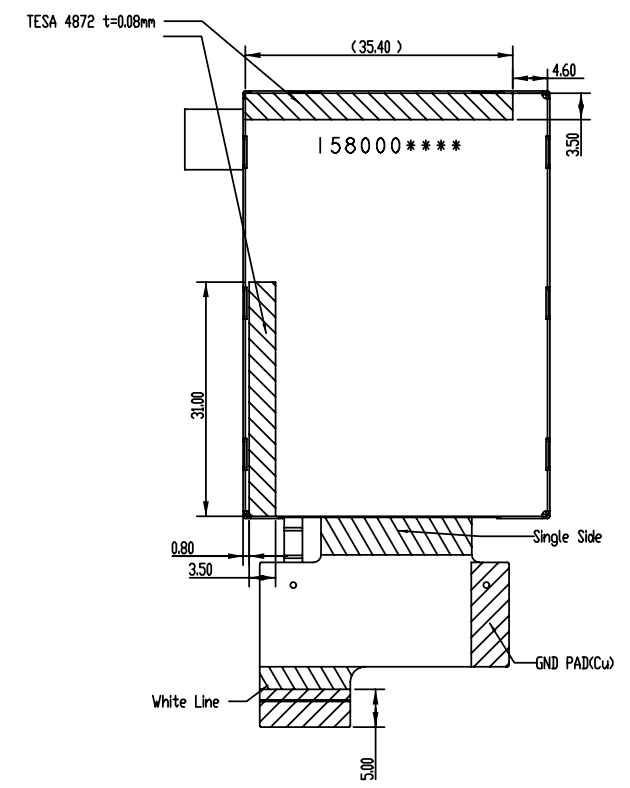
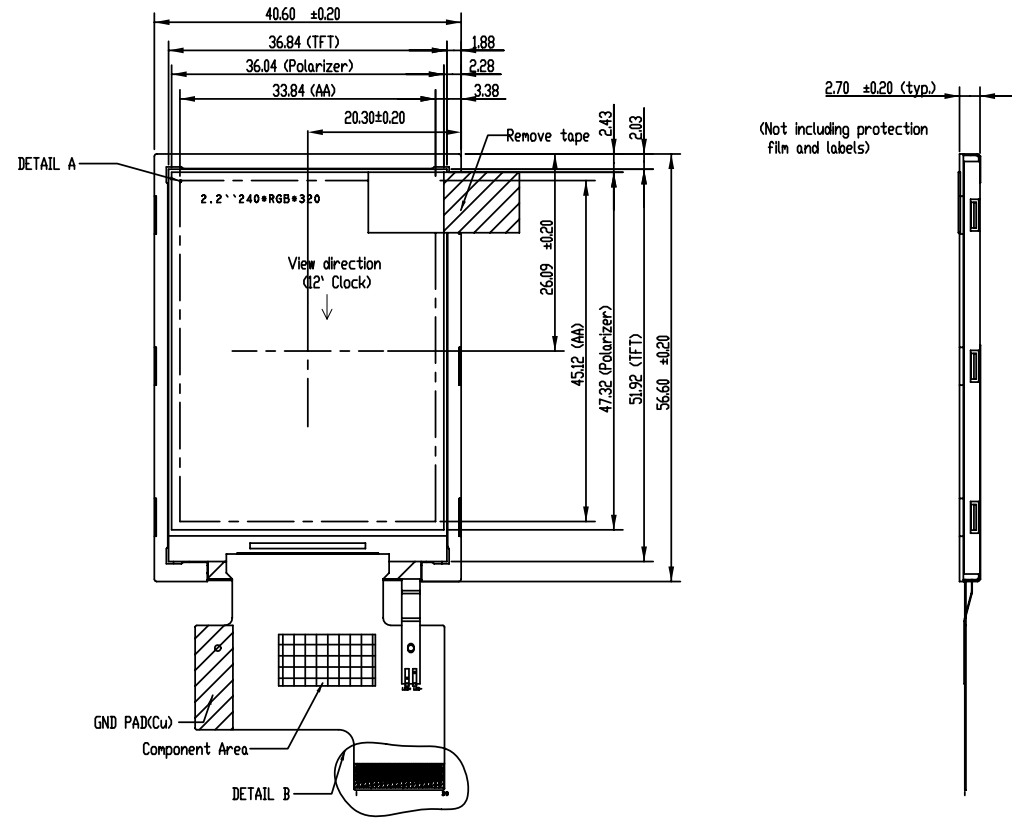


Pin No	Symbol
1	LEDA
2	LEDK
3	GND
4	VDD
5	GND
6	VSYNC
7	RESET
8	GND
9	CS
10	SDD
11	SDI
12	GND
13	SCL
14	GND
15	B5
16	B4
17	B3
18	B2
19	B1
20	B0
21	ENABLE
22	HSYNC
23	GND
24	DCLK
25	GND
26	G5
27	G4
28	G3
29	G2
30	G1
31	G0
32	GND
33	R5
34	R4
35	R3
36	R2
37	R1
38	R0
39	GND

REV	DC/EC NUMBER	DESCRIPTION	DATE



Preliminary

Notes:
 1.Display Type: a-Si TFT (262k color);
 2.Gray Scale inversion: 6 o'clock;
 3.Backlight : 4 LEDS Serials ;
 4.Operating Temperature:-20°C~+70°C;
 5.Storage Temperature:-30°C~+80°C;
 6.unmarked tolerance: R=0.30mm;
 7.Requirement on Environment Protection: Q/S0002.

CONTROL DIMENTION:		MULTI-INNO TECHNOLOGY CO.,LTD.	
REFERENCE DIMENTION:		MODEL NAME M1022NET	
APPROVED:		3rd ANGLE	
CHECKED:		PART NAME LCM	UNIT mm
DESIGNED:		DRAWING NUMBER YGT1-00	SCALE 1:1
		MATERIAL NUMBER 00	PAGE 1/1