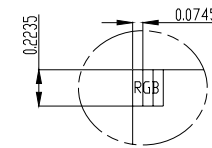
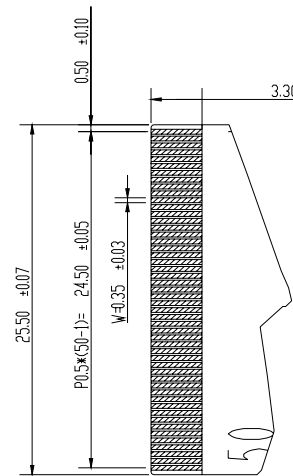
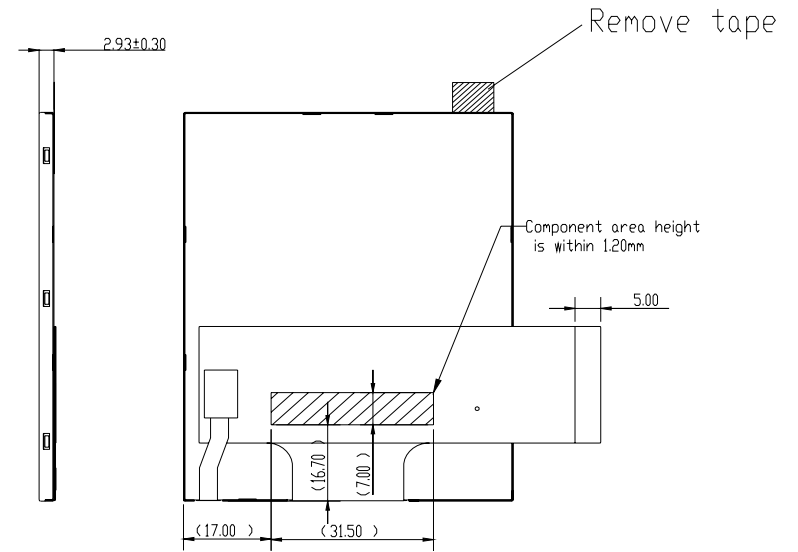
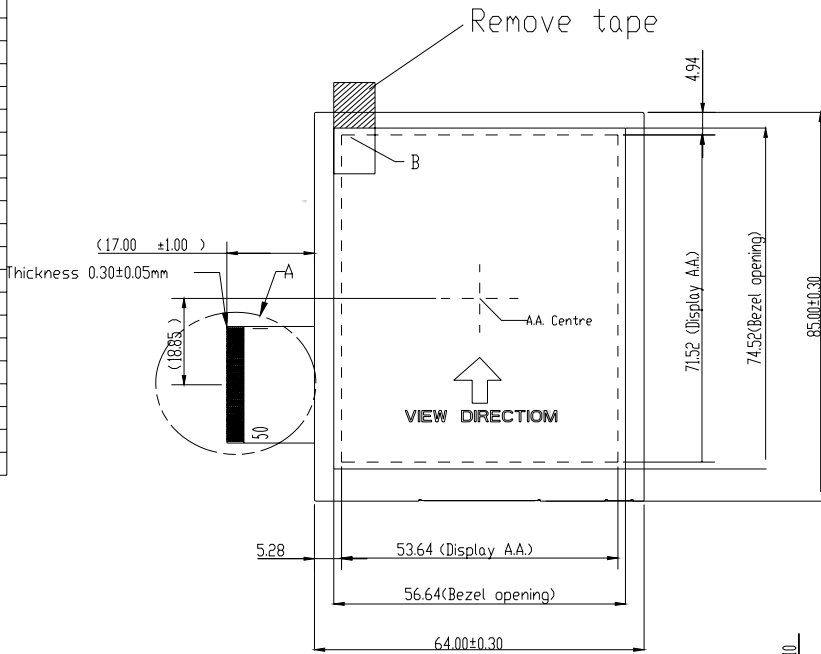




1	VL1	26	BI
2	GND	27	B0
3	VL2	28	ENAB
4	GND	29	GND
5	VSHD	30	HSYNC
6	GND	31	GND
7	GND	32	DCLK
8	GND	33	GND
9	VSYNC	34	G5
10	GND	35	G4
11	RESET	36	G3
12	GND	37	G2
13	GND	38	G1
14	GND	39	G0
15	CS	40	GND
16	GND	41	R5
17	SD0	42	R4
18	SD1	43	R3
19	GND	44	R2
20	SCL	45	R1
21	GND	46	R0
22	B5	47	GND
23	B4	48	GND
24	B3	49	GND
25	B2	50	GND



Detail B  
Scale: 50:1

- NOTE:
1. OPERATING TEMP:-20°C-60°C
  2. STORAGE TEMP:-30°C-70°C
  3. LCD:TFT TRANSFLECTIVE
  4. Gray Inversion: 12 O'clock;
  5. This Module can used with 18BIT RGB+SPI
  6. Compressible area: The area which does not activate even it pressed
  7. Requirement on Environment Protection: Q/S0002;
  8. General tolerance: ±0.3

A  
3:1