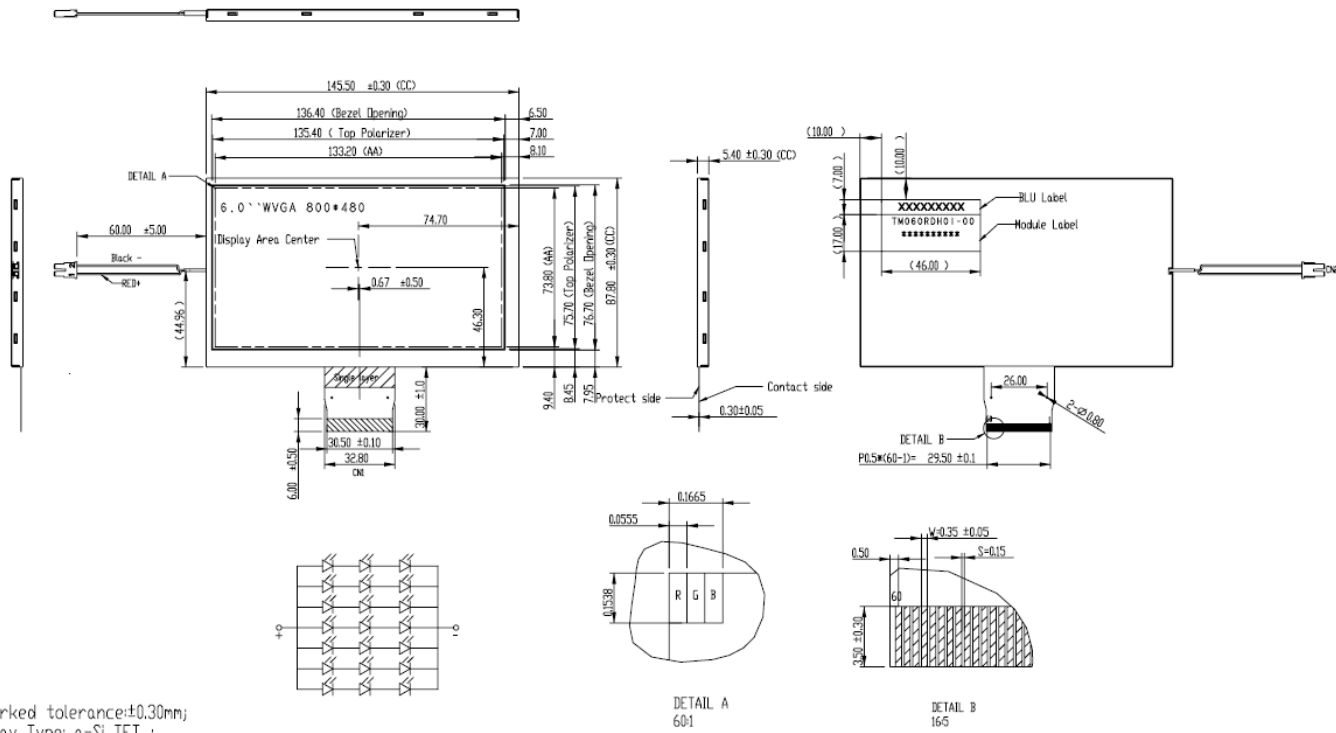




Pin No.	Symbol
1	AGND
2	AVDD
3	VCC
4	R0
5	R1
6	R2
7	R3
8	R4
9	R5
10	R6
11	R7
12	G0
13	G1
14	G2
15	G3
16	G4
17	G5
18	G6
19	G7
20	B0
21	B1
22	B2
23	B3
24	B4
25	B5
26	B6
27	B7
28	DCLK
29	DE
30	HSD
31	VSD
32	MIDE
33	RSTB
34	STBYB
35	SHLR
36	VCC
37	UPDN
38	GND
39	AGND
40	AVDD
41	VCOM
42	BITH
43	NC
44	NC
45	V10
46	V9
47	V8
48	V7
49	V6
50	V5
51	V4
52	V3
53	V2
54	V1
55	NC
56	VGH
57	VCC
58	VGL
59	GND
60	NC

REV	DC/EC NUMBER	DESCRIPTION	DATE



Notes:

1. Unmarked tolerance: ±0.30mm;
  2. Display Type: a-Si TFT;
  3. Operating Temperature: -20°C~+70°C; Storage Temperature: -30°C~+80°C;
  4. Gray Scale Inversion: 6 o'clock;
  5. LED Power source Connector: BHSR-02VS-1, Mating Connector: SBHT-002T-P0.5;
  6. Backlight: 3serials 7parallel;
  7. FPC Recommended type: FH28-60S-0.5SHK(HIROSE)
  8. Requirement on Environment Protection: Q/S0002.
- \* CC: Critical Characteristic

CONTROL DIMENTION:			MULTI-INNO TECHNOLOGY CO.,LTD.		
REFERENCE DIMENTION:			MODEL NAME	<b>MI0600AT</b>	3rd ANGLE
APPROVED:	Maxiaoping	2009.5.19	PART NAME	LCM	UNIT mm
CHECKED:	Huchunyan	2009.5.19	DRAWING NUMBER	YGT 1-00	SCALE 25
DESIGNED:	Linxiang	2009.5.19	MATERIAL NUMBER		PAGE 1/1