

Shanghai AVIC OPTOELECTRONICS Co. Ltd.

TFT COLOR LCD MODULE

(COMMON)

TMS190WX1 -19TB

48cm (19.0W Type)

WXGA+

LVDS Interface (2port)

DATA SHEET

(Version 2.0)

Published by

Product Technology Department
Shanghai AVIC OPTOELECTRONICS Co. Ltd.

<i>Approved by</i>	<i>Date</i>
<u><i>Amferneerm</i></u>	<u>2010.7.22</u>
<i>Checked by</i>	<i>Date</i>
<u><i>xiao shun jie</i></u>	<u>2010.7.22</u>
<i>Prepared by</i>	<i>Date</i>
<u><i>Stephen Sun</i></u>	<u>2010.7.22</u>

Signature of customer

<i>Confirmed by</i>	<i>Date</i>
_____	_____

INTRODUCTION

• WARRANTY

Shanghai AVIC OPTOELECTRONICS Co. Ltd. (hereinafter called "AVIC") warrants that this product meets the product specifications set forth in this document. If this product under normal operation is found to be non-conforming to the product specifications, and such non-conformance is promptly notified to AVIC within one (1) year after the delivery date, and further such non-conformance is solely attributable to AVIC, AVIC shall repair the non-conforming product or replace it with a conforming one, free of charge. However, this warranty does not apply to any non-conformance that can be found easily by incoming inspections or those resulting from any one of the following:

- 1) Unauthorized or improper repair, maintenance or modification
- 2) Operation or use against specifications, instructions or warnings given by AVIC
- 3) Any other causes attributable to customer

In case AVIC repairs or replaces a product after the one (1)-year warranty period, AVIC shall be entitled to charge for such repair or replacement. Those replaced parts shall be covered with six (6)-month warranty period from the replacement day. Non-conforming products may be replaced with substitutes instead of repair when the manufacture of this product has been terminated.

EXCEPT AS EXPRESSLY SET FORTH HEREIN, AVIC DISCLAIMS ANY WARRANTIES, EXPRESS OR IMPLIED, INCLUDING BUT NOT LIMITED TO MERCHANTABILITY AND FITNESS FOR A PARTICULAR PURPOSE, AND DISCLAIMS ANY REMEDIES.

• MAINTENANCE

The specifications of maintenance parts may be partially changed within equivalent quality or better. In this product, AVIC will not accept to maintain for only mounting parts on circuit board (e.g. connector, fuse, capacitor, resistor, etc.) and only backlight conformation parts (e.g. reflector sheet, light guide plate, etc.).

If AVIC is planning discontinuation for this product, AVIC shall inform it to customers in six (6)-months advance from the issued date of official agreements. In addition, after product discontinuation, AVIC may replace substitutes instead of maintenance parts with whole product.

• CHANGE CONTROL

For the purpose of product improvement, this product design may be changed for specifications, appearance, parts, circuits and so on. In case a design change is affected on the product specifications, AVIC shall inform it to customers in advance.

• HANDLING OF DOUBTFUL POINTS

Any question arising out of, or in connection with, this SPECIFICATION or any matter not stipulated herein will be settled each time upon consultation between both parties.

CONTENTS

INTRODUCTION.....	2
CONTENTS.....	3
RECORD OF REVISION.....	4
1. OUTLINE	5
1.1 STRUCTURE AND PRINCIPLE	5
1.2 APPLICATIONS	5
1.3 FEATURES	5
2. GENERAL SPECIFICATIONS	6
3. ABSOLUTE MAXIMUM RATINGS.....	7
4. BLOCK DIAGRAM.....	8
5. MECHANICAL SPECIFICATIONS	9
6. ELECTRICAL CHARACTERISTICS	9
6.1 DRIVING FOR LCD.....	9
6.2 DRIVING FOR BACKLIGHT.....	10
7. CONNECTIONS AND FUNCTIONS FOR INTERFACE PINS.....	11
7.1 LCD PANEL SIGNAL PROCESSING PINS.....	11
7.2 BACKLIGHT LAMP.....	12
7.3 POSITION OF PLUGS AND A SOCKET.....	12
7.4 CONNECTION BETWEEN REVIEVER AND TRANSMITTER FOR LVDS.....	13
8. DISPLAY COLORS AND INPUT DATA SIGNALS.....	14
9.INTERFACE TIMING.....	15
9.1 TIMING CHARACTERISTICS.....	15
9.2 INPUT SIGNAL TIMING CHART.....	16
9.3 PIXEL DATA ALIGNMNET OF DISPLAY IMAGE.....	16
9.4 POWER SUPPLY VOLTAGE SEQUENCE	17
10. OPTICS.....	19
11. MARKINGS.....	21
11.1 PRODUCT LABEL.....	21
11.2 OTHER MARKINGS	22
11.3 INDICATION LOCATIONS.....	22
12. PACKING, TRANSPORTATION AND DELIVERY	23
13. PRECAUTIONS	25
13.1 MEANING OF CUTION SIGNS	25
13.2 CAUTIONS.....	25
13.3 ATTENTIONS.....	25
14.OUTDRAWING	27

1. OUTLINE

1.1 STRUCTURE AND PRINCIPLE

TMS190WX1-19TB module is composed of the amorphous silicon thin film transistor liquid crystal display (a-Si TFT LCD) panel structure with driver LSIs for driving the TFT (Thin Film Transistor) array and a backlight. The a-Si TFT LCD panel structure is injected liquid crystal material into a narrow gap between the TFT array glass substrate and a color-filter glass substrate.

Color (Red, Green, Blue) data signals from a host system (e.g. PC, signal generator, etc.) are modulated into best form for active matrix system by a signal processing board, and sent to the driver LSIs which drive the individual TFT arrays. The TFT array as an electro-optical switch regulates the amount of transmitted light from the backlight assembly, when it is controlled by data signals. Color images are created by regulating the amount of transmitted light through the TFT array of red, green and blue dots.

1.2 APPLICATIONS

- Monitor for PC

1.3 FEATURES

- a-Si TFT active matrix
- LVDS interface
- R.G.B input 8bit, 16.7 millions colors (6bit+Hi-FRC)
- Resolution WXGA+:(1,440×900 pixels)
- Wide viewing angle: 85°/85°(L/R); 80°/80° (U/D)
- High contrast ratio: 1000:1
- Module size: 428.0(H) ×278.0(V) ×16.5 (D)mm
- High response time (Ton+Toff=5 ms)
- High gamut: (against NTSC 72%typ.)
- Edge light type backlight (4 CCFL lamps)
- Inverter less
- RoHS compliance
- TCO'03 compliance

2. GENERAL SPECIFICATIONS

Display area	408.24 (H) x 255.15 (V)mm (typ.)
Diagonal size of display	48.0 cm (19.0 inches)
Drive system	a-Si TFT active matrix
Display color	16.7M colors (6bit+Hi-FRC)
Pixel	1,440 (H) x 900(V) pixels
Pixel arrangement	RGB vertical stripe
Dot pitch	0.0945(H) × 0.2835(V)
Pixel pitch	0.2835 (W) x 0.2835 (H) mm
Module size	428.0 ± 0.5(H) × 278.0 ± 0.5 (V) × 16.5(D)mm
Weight	2150g (typ.)
Contrast ratio	1000:1(typ.)
Viewing angle	170°/ 160° (typ.)
Color gamut	72 % (typ.)
Response time	5 ms (typ.)
Luminance	300cd/m ² (typ.)
Transmissive Mode	Normally White
Surface Treatment	AG Type
Signal system	LVDS 2port
Power supply voltage	LCD panel signal processing board: 5.0V
Backlight	4 cold cathode fluorescent lamps
Power consumption	22W (typ.)

3. ABSOLUTE MAXIMUM RATINGS

Parameter	Symbol	Rating	Unit	Remarks	
Power supply voltage	Power voltage	VDD	-0.3 ~ +6.0	V	Ta = 25°C
	Lamp voltage	VBLH	666~814	Vrms	Ta = 25°C
Input voltage for signals	Vi	-0.3 ~ +3.3	V	Ta = 25°C	
Lamp current	IBL	3.0~8.0	mArms	Ta = 25°C, for each lamp	
Lamp Oscillation frequency	FO	30~80	kHz	Ta = 25°C	
Storage temperature	Tst	-20 ~ +60	°C	Note3	
Operating temperature	Top	0 ~ +55	°C	Note3, 4	
Absolute humidity	AH	≤ 70	g/m ³	Ta > 55°C	
Operating altitude	-	≤ 4, 850	m	0° C ≤ Ta ≤ 55° C	
Storage altitude	-	≤ 13, 600	m	-20° C ≤ Ta ≤ 60° C	

Note1: Display signals are DA0+/-, DA1+/-, DA2+/-, DA3+/-, CKA+/-, DB0+/-, DB1+/-, DB2+/-, DB3+/-, and CKB+/-.

Note2: Function signal is MSL.

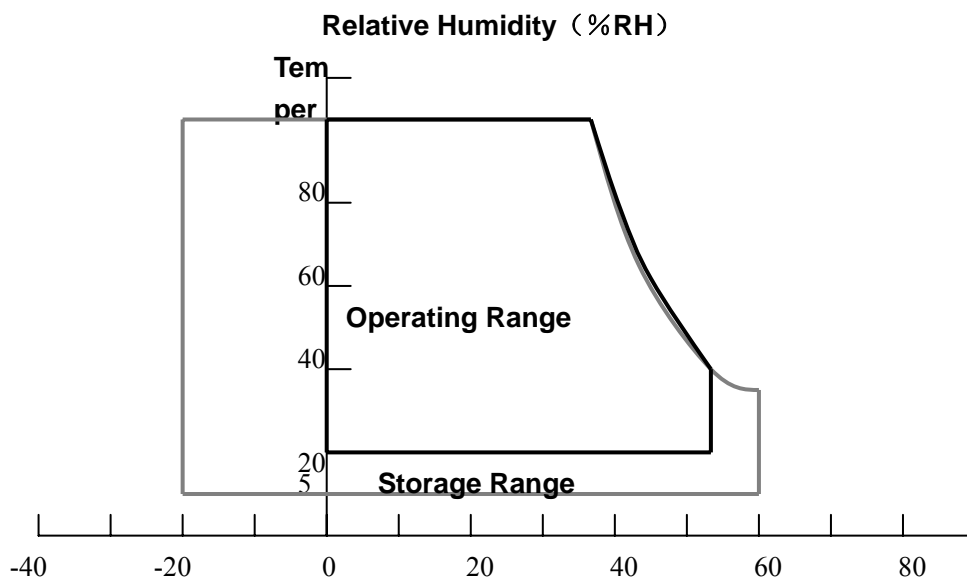
Note3: Temperature and relative humidity range is shown in the figure below.

(a) 90%RH Max. (Ta ≤ 40°C)

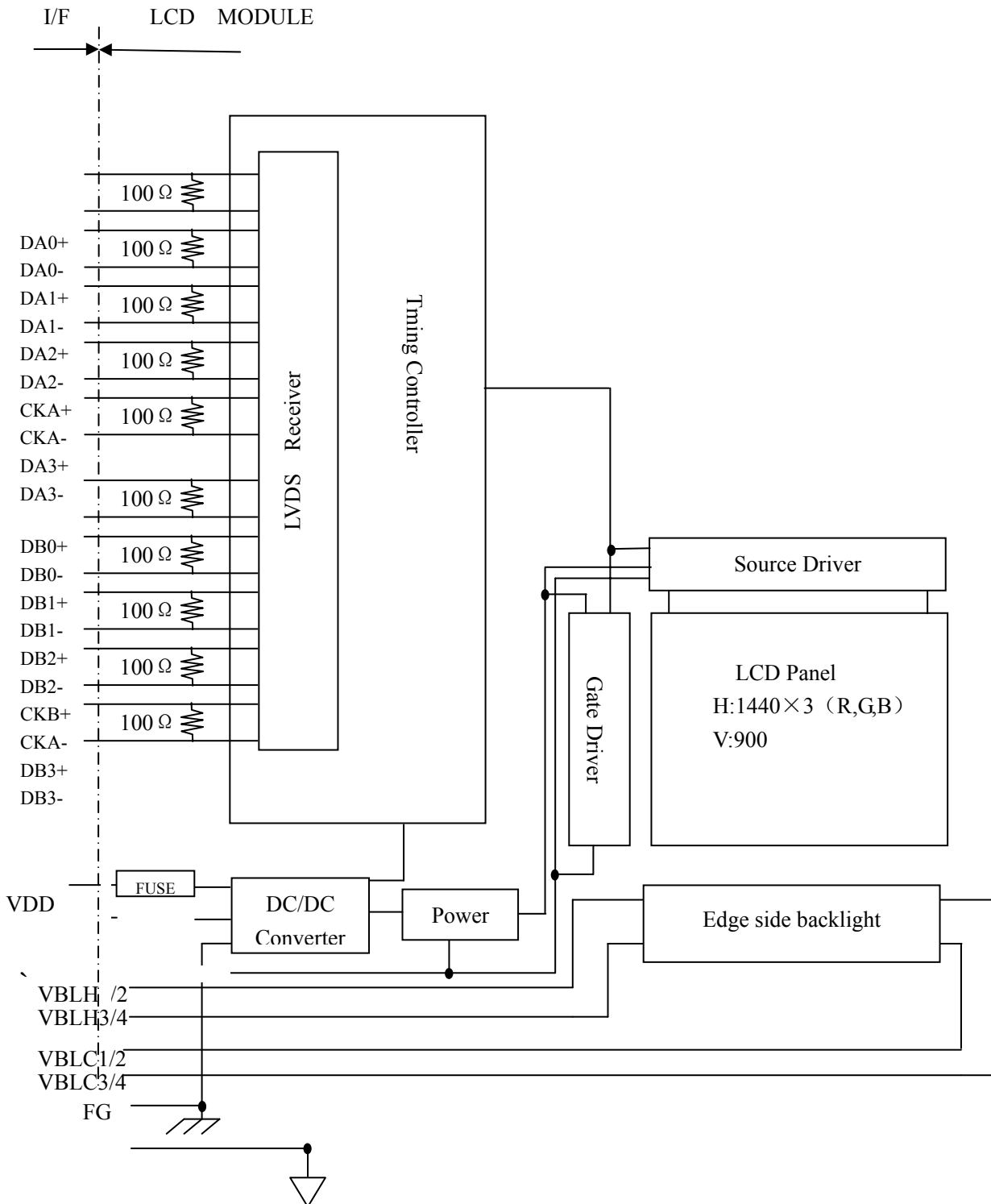
(b) Web-bulb temperature should be 39°C Max. (Ta > 40°C)

(c) No condensation.

Note4: The temperature of panel display surface area should be 0°C Min and 60°C Max.



4. BLOCK DIAGRAM



Note: System ground(GND), FG (Frame ground) in the product should be connected together in customer equipment.

5. MECHANICAL SPECIFICATIONS

Parameter	Specification	Unit
Module size	428.0± 0.5 (W) × 278.0 ± 0.5 (H) × 16.5 (D)	mm
Display area	408.24(H) x 255.15 (V) mm (typ.), [48.0 cm (19.0 inches)]	mm
Weight	2150(typ.)	g

6. ELECTRICAL CHARACTERISTICS

6.1 Driving for LCD panel signal processing board

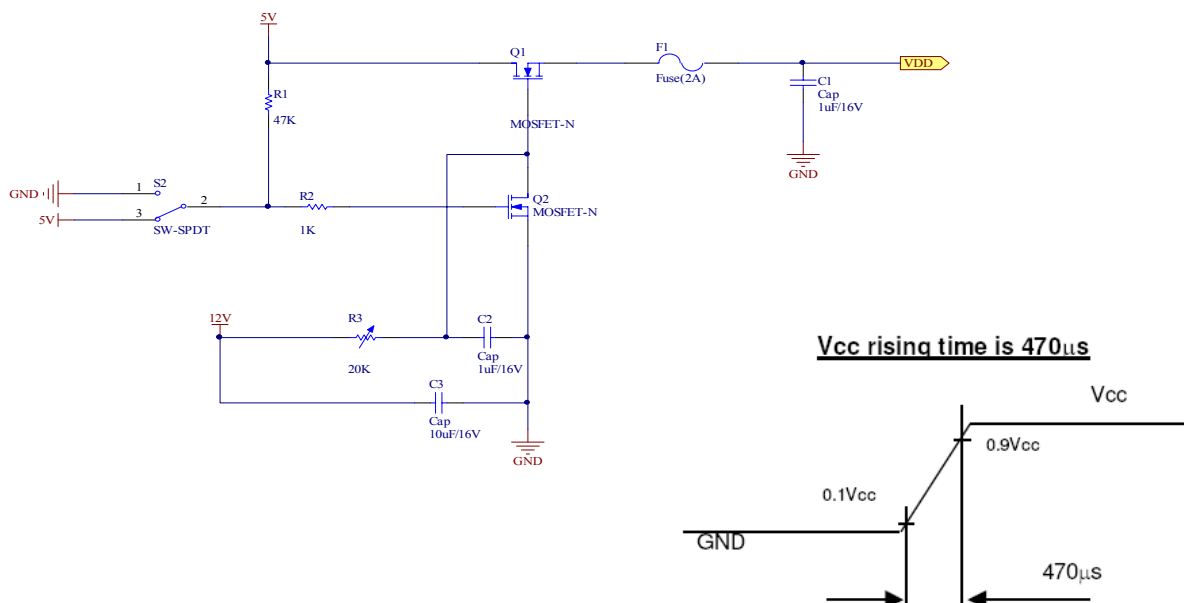
Parameter	Symbol	min.	typ.	max.	Unit	Remarks
Power supply voltage	VDD	4.5	5.0	5.5	V	-
Power supply current	IDD	-	450Note1	650Note 2	mA	at VDD = 5.0V
Permissible ripple voltage	VRP	-	-	150	mV	VDD
Differential input voltage	Vid	200		600	mV	
Differential input threshold voltage for LVDS receiver	Low	VTL	-100	-	mV	at VCM = 1.2V Note3
	High	VTH	-	-	100	
Input voltage width for LVDS receiver	Vi	0	-	3.3	V	-
Terminating resistor	RT	-	100	-	Ω	-
Rush current	I _{rush}	-	-	3.0	A	Note4

Note 1: Checkered flag pattern (EIAJ ED-2522);

Note 2: 2H1V dot inverse pattern

Note 3: Common mode voltage for LVDS receiver

Note4: Measurement Conditions:



6.2 Driving for backlight lamp

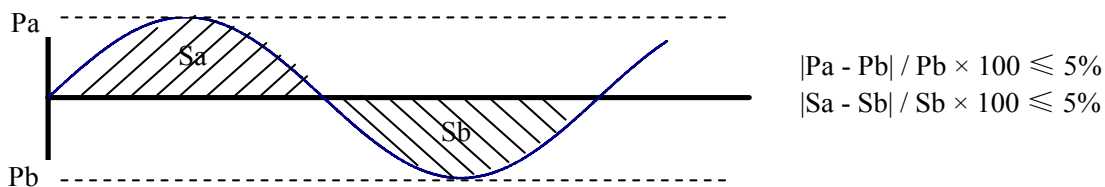
(Ta=25°C) Note1

Parameter	Symbol	min.	typ.	max.	Unit	Remarks
Lamp voltage	VBLH	-	740	-	Vrms	For each lamp
Lamp current	IBL	3.0	6.5	8.0	mArms	at L = 300cd/ m ² (typ.)
Lamp starting voltage Note1	VS	1200	-	-	Vrms	Ta = 0°C Note2 Note3
		1000	-	-	Vrms	Ta = 25°C Note2 Note3
Lamp operating lifetime	Hr	50000			Hour	IBL=6.5mArms Note5
Oscillation frequency	FO	40	50	80	kHz	Note4

Note1: The backlight of this product is made up of 4 lamps. The specification above is only for one lamp.

Note2: The voltage timing cycle of each lamp should be set as the same phase. [Vs] and [VBLH] is the voltage between the high port and low port, the value is the characteristic of lamp. The starting voltage of inverter should be higher than the value. The possibility of not lighting exists by the lower voltage, so the suitable voltage should be considered by the test.

Note3: The asymmetric ratio of working waveform for lamps (Lamp voltage peak ratio, Lamp current peak ratio and waveform area ratio) should be less than 5% (See the following figure). If the waveform is asymmetric, DC (Direct current) element applies into the lamp. In this case, a lamp lifetime may be shortened, because a distribution of a lamp enclosure substance inclines toward one side between low voltage terminal (Cold terminal) and high voltage terminal (Hot terminal).



Pa: Supply voltage/current peak for positive, Pb: Supply voltage/current peak for negative

Sa: Waveform space for positive part, Sb: Waveform space for negative part

Note4: In case "FO" is not the recommended value, beat noise may display on the screen, because of interference between "FO" and "1/th". Recommended value of "FO" is as following.

$$FO = 1/4 \times 1/th \times (2n-1)$$

Th: Horizontal signal period(See "9.0Timing characteristics".)

n: Natural number (1, 2, 3)

Note5: Lamp operating lifetime is mean time to half-luminance. In case the product works under room temperature environment.

7. CONNECTIONS AND FUNCTIONS FOR INTERFACE PINS

CN1: MSBKT2407P30HD (Produced by STM) or equivalent.

Pin	Name	Description
1	RXO0-	Negative LVDS differential data input. Channel O0 (odd)
2	RXO0+	Positive LVDS differential data input. Channel O0 (odd)
3	RXO1-	Negative LVDS differential data input. Channel O1 (odd)
4	RXO1+	Positive LVDS differential data input. Channel O1 (odd)
5	RXO2-	Negative LVDS differential data input. Channel O2 (odd)
6	RXO2+	Positive LVDS differential data input. Channel O2 (odd)
7	GND	Ground
8	RXOC-	Negative LVDS differential clock input. (odd)
9	RXOC+	Positive LVDS differential clock input. (odd)
10	RXO3-	Negative LVDS differential data input. Channel O3(odd)
11	RXO3+	Positive LVDS differential data input. Channel O3 (odd)
12	RXE0-	Negative LVDS differential data input. Channel E0 (even)
13	RXE0+	Positive LVDS differential data input. Channel E0 (even)
14	GND	Ground
15	RXE1-	Negative LVDS differential data input. Channel E1 (even)
16	RXE1+	Positive LVDS differential data input. Channel E1 (even)
17	GND	Ground
18	RXE2-	Negative LVDS differential data input. Channel E2 (even)
19	RXE2+	Positive LVDS differential data input. Channel E2 (even)
20	RXEC-	Negative LVDS differential clock input. (even)
21	RXEC+	Positive LVDS differential clock input. (even)
22	RXE3-	Negative LVDS differential data input. Channel E3 (even)
23	RXE3+	Positive LVDS differential data input. Channel E3 (even)
24	GND	Ground
25	GND	Ground
26	NC	Not connection.
27	GND	Ground
28	VCC	+5.0V power supply
29	VCC	+5.0V power supply
30	VCC	+5.0V power supply

7.2 Backlight lamp

CN201, CN203: BHSR-02VS-1/Locking

Adaptable connector: SM02B-BHSS-1-TB

Pin No.	Signal name	Function
1	VH1	High voltage input terminal for upper lamp(Cable color: Blue)
2	VL1	Low voltage input terminal for upper lamp(Cable color: Black)

CN202, CN204: BHSR-02VS-1 /Locking

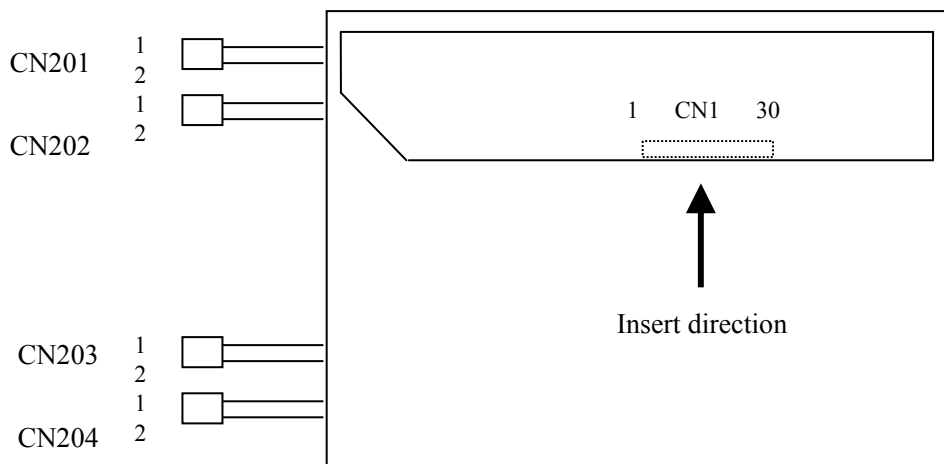
Adaptable connector: SM02B-BHSS-1-TB

Pin No.	Signal name	Function
1	VH2	High voltage input terminal for upper lamp(Cable color: Pink)
2	VL2	Low voltage input terminal for upper lamp(Cable color: White)

Note1: The ports of VDD and GND should be all used. As for the input of LVDS, please use the twisted pair wire of the transmission impedance 100Ω.

Note2: System ground (GND), FG (Frame ground) and VBLC (Lamp low voltage terminal) in the product should be connected together in customer equipment.

7.3 Position of plugs and a socket



7.4 Connection between receiver and transmitter for LVDS

Input DATA		Transmitter		CN1		
		pin	DS90CF383,C385 or equivalent	pin	Symbol	
Odd pixel data and control signals	RA0	→ 51	TXIN0			
	RA1	→ 52	TXIN1	TA1-	1 DA0-	
	RA2	→ 54	TXIN2	TA1+	2 DA0+	
	RA3	→ 55	TXIN3			
	RA4	→ 56	TXIN4	TB1-	3 DA1-	
	RA5	→ 3	TXIN6	TB1+	4 DA1+	
	GA0	→ 4	TXIN7			
	GA1	→ 6	TXIN8	TC1-	5 DA2-	
	GA2	→ 7	TXIN9	TC1+	6 DA2+	
	GA3	→ 11	TXIN12		7 GND	
	GA4	→ 12	TXIN13	TCLK1-	8 CKA-	
	GA5	→ 14	TXIN14	TCLK1+	9 CKA+	
	BA0	→ 15	TXIN15			
	BA1	→ 19	TXIN18	TD1-	10 DA3-	
	BA2	→ 20	TXIN19	1'ST TD1+	11 DA3+	
	BA3	→ 22	TXIN20			
	BA4	→ 23	TXIN21			
	BA5	→ 24	TXIN22			
	RSVD	→ 27	TXIN24			
	RSVD	→ 28	TXIN25			
	DE	→ 30	TXIN26			
	RA6	→ 50	TXIN27			
	RA7	→ 2	TXIN5			
	GA6	→ 8	TXIN10			
	GA7	→ 10	TXIN11			
	BA6	→ 16	TXIN16			
	BA7	→ 18	TXIN17			
	RSVD	→ 25	TXIN23			
	CLK	→ 31	CLKIN			
	Even pixel data	RB0	→ 51	TXIN0		
		RB1	→ 52	TXIN1	TA2-	12 DB0-
RB2		→ 54	TXIN2	TA2+	13 DB0+	
RB3		→ 55	TXIN3		14 GND	
RB4		→ 56	TXIN4	TB2-	15 DB1-	
RB5		→ 3	TXIN6	TB2+	16 DB1+	
GB0		→ 4	TXIN7		17 GND	
GB1		→ 6	TXIN8	TC2-	18 DB2-	
GB2		→ 7	TXIN9	TC2+	19 DB2+	
GB3		→ 11	TXIN12			
GB4		→ 12	TXIN13	TCLK2-	20 CKB-	
GB5		→ 14	TXIN14	TCLK2+	21 CKB+	
BB0		→ 15	TXIN15			
BB1		→ 19	TXIN18	TD2-	22 DB3-	
BB2		→ 20	TXIN19	2'nd TD2+	23 DB3+	
BB3		→ 22	TXIN20		24 GND	
BB4		→ 23	TXIN21		25 GND	
BB5		→ 24	TXIN22		26 NC	
RSVD		→ 27	TXIN24		27 GND	
RSVD		→ 28	TXIN25		28 VDD	
RSVD		→ 30	TXIN26		29 VDD	
RB6		→ 50	TXIN27		30 VDD	
RB7		→ 2	TXIN5			
GB6		→ 8	TXIN10			
GB7		→ 10	TXIN11			
BB6		→ 16	TXIN16			
BB7		→ 18	TXIN17			
RSVD		→ 25	TXIN23			
CLK		→ 31	CLKIN			

Note1: The lowest bit (RA0, GA0, BA0, RB0, GB0, BB0), the most upper bit (RA7, GA7, BA7, RB7, GB7, BB7)

Note2: Connecting cable between LCD panel's connector and transmitter should use 100 Ω twisted line.

Note3: If only Hsync and Vsync, the product don't work. Make sure DE signal has been input.

8. DISPLAY COLORS AND INPUT DATA SIGNALS

This product can display in equivalent to 16,777,216 colors in 256 scales. Also the relation between display colors and input data signals is as the following table.

Display colors		Data signal (0:Low level, 1:High Level)																							
		R7	R6	R5	R4	R3	R2	R1	R0	G7	G6	G5	G4	G3	G2	G1	G0	B7	B6	B5	B4	B3	B2	B1	B0
Basic Color	Black	0	0	0	0	0	0	0	0	0	0	0	0	0	0	0	0	0	0	0	0	0	0	0	0
	Blue	0	0	0	0	0	0	0	0	0	0	0	0	0	0	0	0	1	1	1	1	1	1	1	1
	Red	1	1	1	1	1	1	1	1	0	0	0	0	0	0	0	0	0	0	0	0	0	0	0	0
	Magenta	1	1	1	1	1	1	1	1	0	0	0	0	0	0	0	0	1	1	1	1	1	1	1	1
	Green	0	0	0	0	0	0	0	0	1	1	1	1	1	1	1	1	0	0	0	0	0	0	0	0
	Cyan	0	0	0	0	0	0	0	0	1	1	1	1	1	1	1	1	1	1	1	1	1	1	1	1
	Yellow	1	1	1	1	1	1	1	1	1	1	1	1	1	1	1	1	0	0	0	0	0	0	0	0
	White	1	1	1	1	1	1	1	1	1	1	1	1	1	1	1	1	1	1	1	1	1	1	1	1
Red grayscale	Black	0	0	0	0	0	0	0	0	0	0	0	0	0	0	0	0	0	0	0	0	0	0	0	0
		0	0	0	0	0	0	0	1	0	0	0	0	0	0	0	0	0	0	0	0	0	0	0	0
	Dark	0	0	0	0	0	0	1	0	0	0	0	0	0	0	0	0	0	0	0	0	0	0	0	0
	↑				:							:								:					
	↓				:							:								:					
	Bright	1	1	1	1	1	1	0	1	0	0	0	0	0	0	0	0	0	0	0	0	0	0	0	0
Red	1	1	1	1	1	1	1	0	0	0	0	0	0	0	0	0	0	0	0	0	0	0	0	0	
Red	1	1	1	1	1	1	1	1	0	0	0	0	0	0	0	0	0	0	0	0	0	0	0	0	
Green grayscale	Black	0	0	0	0	0	0	0	0	0	0	0	0	0	0	0	0	0	0	0	0	0	0	0	0
		0	0	0	0	0	0	0	0	0	0	0	0	0	0	0	1	0	0	0	0	0	0	0	0
	Dark	0	0	0	0	0	0	0	0	0	0	0	0	0	0	1	0	0	0	0	0	0	0	0	0
	↑				:							:								:					
	↓				:							:								:					
	Bright	0	0	0	0	0	0	0	0	1	1	1	1	1	1	0	1	0	0	0	0	0	0	0	0
Green	0	0	0	0	0	0	0	0	1	1	1	1	1	1	1	0	0	0	0	0	0	0	0	0	
Green	0	0	0	0	0	0	0	0	1	1	1	1	1	1	1	1	0	0	0	0	0	0	0	0	
Blue grayscale	Black	0	0	0	0	0	0	0	0	0	0	0	0	0	0	0	0	0	0	0	0	0	0	0	0
		0	0	0	0	0	0	0	0	0	0	0	0	0	0	0	0	0	0	0	0	0	0	0	1
	Dark	0	0	0	0	0	0	0	0	0	0	0	0	0	0	0	0	0	0	0	0	0	0	1	0
	↑				:							:								:					
	↓				:							:								:					
	Bright	0	0	0	0	0	0	0	0	0	0	0	0	0	0	0	0	1	1	1	1	1	1	0	1
Blue	0	0	0	0	0	0	0	0	0	0	0	0	0	0	0	0	1	1	1	1	1	1	1	0	
Blue	0	0	0	0	0	0	0	0	0	0	0	0	0	0	0	0	1	1	1	1	1	1	1	1	

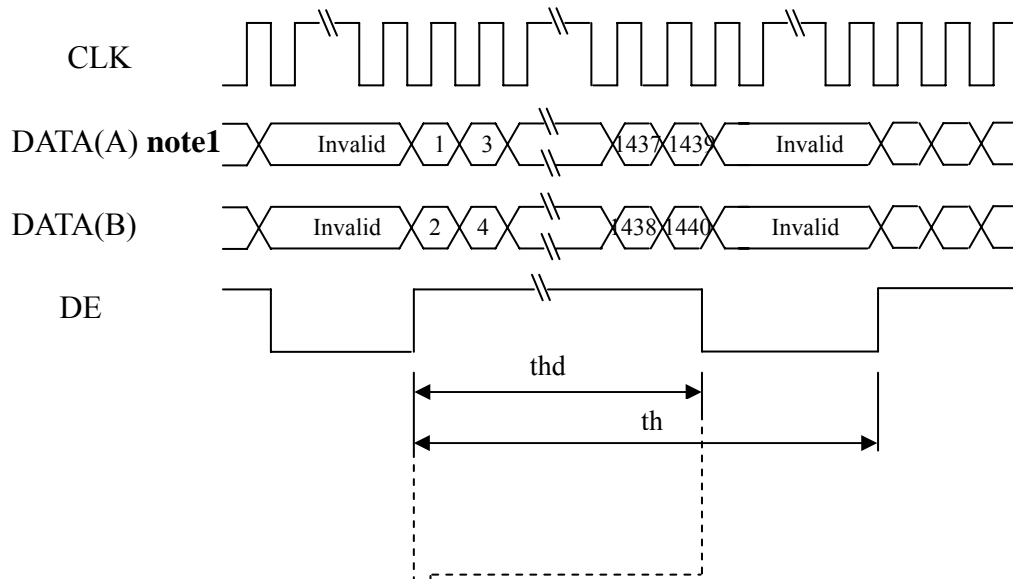
9. INTERFACE TIMING

9.1 Timing characteristics

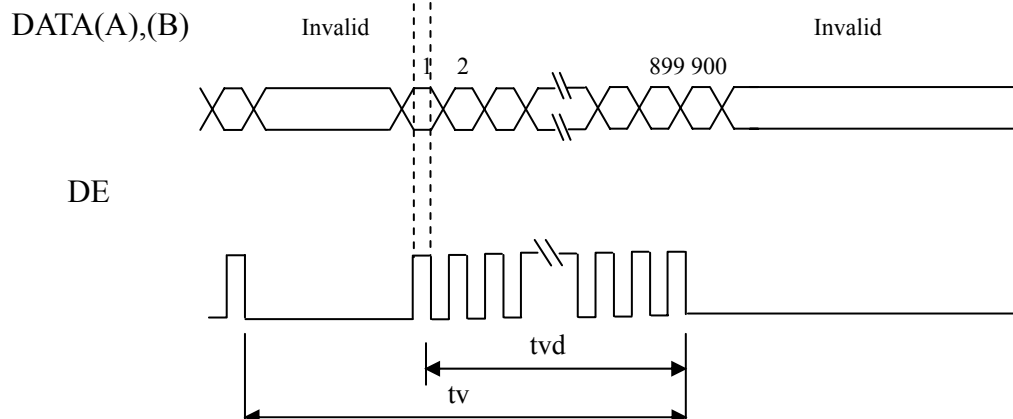
Parameter		Symbol	min.	typ.	max.	Unit	Remarks
Clock	Frequency	1/tc	34.4	44.45	74.25	MHz	LVDS transmitter input
		tc	29.07	22.50	13.47	ns	
	Rise time, Fall time	-	Refer to the timing characteristics of LVDS transmitter			ns	Note 1
Duty	-				-		
Horizontal signals	Cycle	th	148	18.0	26.5	μs	55.5kHz(typ.)
			754	800	900	CLK	
	Display period	thd	720			CLK	-
Vertical signals	Cycle	tv	133	16.67	20	ms	60.0Hz(typ.)
			912	926	1100	H	
	Display period	tvd	900			H	-
DE/Data	Setup time	-	Refer to the timing characteristics of LVDS transmitter			ns	Note 1
	Hold time	-				ns	
	Rise time, Fall time	-				ns	

Note1: See the data sheet of LVDS transmitter.

9.2 Input signal timing chart
Horizontal timing



Vertical timing



Note 1: DATA(A)=RA0-RA7,GA0-GA7,BA0-BA7

DATA(B)=RB0-RB7,GB0-GB7,BB0-BB7

9.3 Pixel DATA alignment of display image

The following chart is the coordinates of per pixel

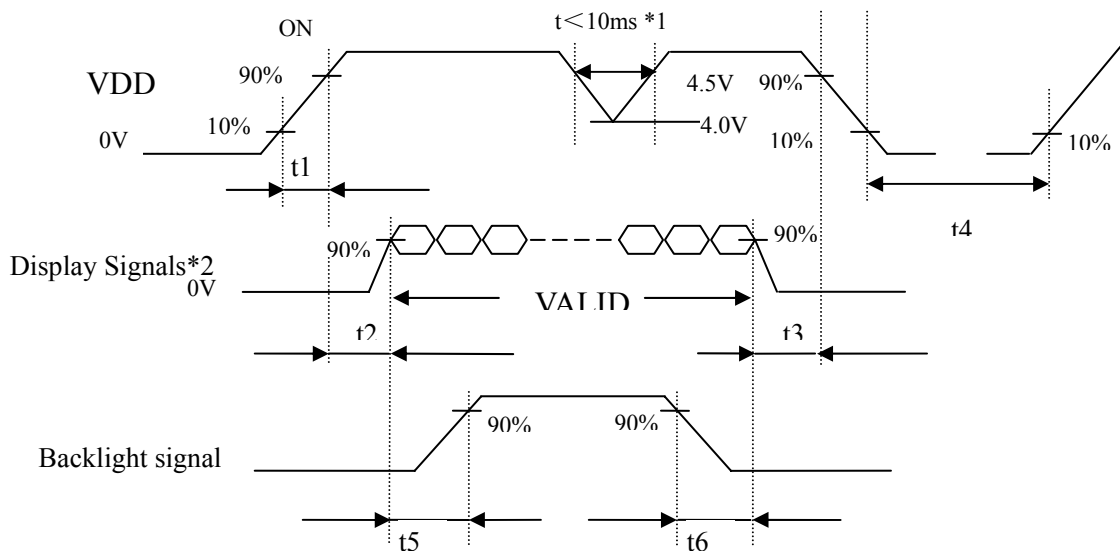
Odd Pixel: RA= R DATA Even Pixel : RB=R DATA
 GA= G DATA GB=G DATA
 BA= B DATA BB=B DATA

D(1,1)			D(2,1)		
RA	GA	BA	RB	GB	BB

D(1,1)	D(2,1)	D(3,1)	...	D(1440,1)
D(1,2)	D(2,2)	D(3,2)	...	D(1440,2)
D(1,3)	D(2,3)	D(3,3)	...	D(1440,3)
•	•	•	...	•
•	•	•	...	•
•	•	•	...	•
D(1,900)	D(2,900)	D(2,900)	...	D(1440,900)

9.4. POWER SUPPLY VOLTAGE SEQUENCE

9.4.1 The sequence of backlight and power



Timing Specifications:
 $0.47\text{ms} < t_1 < 10\text{ms}; 0.5\text{ms} < t_2 < 50\text{ms}; 0\text{ms} < t_3 < 50\text{ms};$
 $t_4 > 1000\text{ms}; t_5 > 200\text{ms}; t_6 > 200\text{ms};$

*1. When VDD is on, but the value is lower than 4.5V, a protection circuit may work, then the module may not display.

*2 The signal line is not connected with the module, at the end of cable the terminal resistor of 100Ω should be added.

Note1: Display signals (D0+/-, D1+/-, D2+/-, D3+/- and CK+/-) must be “0” voltage, exclude the VALID period (See above sequence diagram). If these signals are higher than 0.3 V, the internal circuit is damaged.

If some of display signals of this product are cut while this product is working, even if the signal input to it once again, it might not work normally. If customer stops the display signals, they should cut VDD.

Note2: When VDD is on, it should be set above 4.0V.

Note3: The backlight power supply voltage should be inputted within the valid period of display and function signals, in order to avoid unstable data display.

9.4.2 Power supply voltage ripple

When the power supply is designed, the next form can give the reference. If the voltage ripple is over the value in next form, the noise should be seen in display area.

Ripple (Measured at input terminal of power supply)

	VDD(5V to drive the panel)
Ripple voltage	≤150mVP-P (Including spike noise)

9.4.3 Fuse

Parameter	Fuse		Rating	Fusing current	Remarks
	Type	Supplier			
VDD	F0603FA2000V032T	AEM	2A 32V	-	

Note1: There are different power supply systems from the power input terminal. The power supply capacity should be less than the fusing current. If the power supply capacity is above the fusing current, the fuse may blow in a short time, and then nasty smell, smoking and so on may occur.

10. OPTICS

10.1 Optical characteristics

Note1 ,Note2

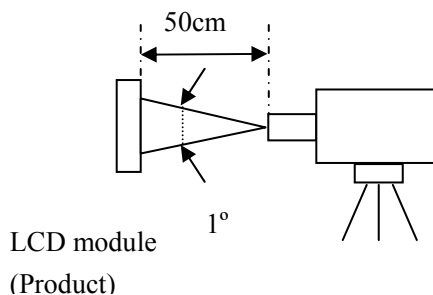
Parameter Note1		Condition	Symbol	min.	typ.	max.	Unit	Remarks
Luminance		White at center $\theta R=0^\circ, \theta L=0^\circ, \theta U=0^\circ, \theta D=0^\circ$	L	(250)	300	-	cd/ m ²	-
Contrast ratio		White/Black at center $\theta R=0^\circ, \theta L=0^\circ, \theta U=0^\circ, \theta D=0^\circ$	CR	(700)	1000	-	-	Note3
Luminance uniformity		White $\theta R=0^\circ, \theta L=0^\circ, \theta U=0^\circ, \theta D=0^\circ$	LU	-	1.25	(1.33)	-	Note4
Chromaticity	White	X coordinate	Wx	0.283	0.313	0.343	-	Note5
		Y coordinate	Wy	0.299	0.329	0.359	-	
	Red	X coordinate	Rx	0.621	0.651	0.681	-	
		Y coordinate	Ry	0.303	0.333	0.363	-	
	Green	X coordinate	Gx	0.267	0.297	0.327	-	
		Y coordinate	Gy	0.572	0.602	0.632	-	
Blue	X coordinate	Bx	0.112	0.142	0.172	-		
	Y coordinate	By	0.047	0.077	0.107	-		
Color gamut		$\theta R=0^\circ, \theta L=0^\circ, \theta U=0^\circ, \theta D=0^\circ$ At center,against NTSC	C	(70)	72	-	%	
Response time		White to black	Ton	-	1.3	(2.6)	ms	Note6
		Black to white	Toff	-	3.7	(7.4)	ms	Note7
		Ton+ Toff	-	-	5	(10)	ms	
Viewing angle	Right	$\theta U=0^\circ, \theta D=0^\circ, CR \geq 10$	θR	(75)	85	-	°	Note8
	Left	$\theta U=0^\circ, \theta D=0^\circ, CR \geq 10$	θL	(75)	85	-	°	
	Up	$\theta R=0^\circ, \theta L=0^\circ, CR \geq 10$	θU	(70)	80	-	°	
	Down	$\theta R=0^\circ, \theta L=0^\circ, CR \geq 10$	θD	(70)	80	-	°	

Note1: The values in upper table are only initial characteristics.

Note2: Measurement conditions are as follows.

Ta=25°C , VDD=5.0V , IBL=6.5mArms/lamp , Display mode : WXGA+ , Horizontal cycle=55.56KHz, Vertical cycle=60.0Hz

Optical characteristics are measured at luminance saturation after 30minutes from working the product in the dark room. Also measurement method for luminance is as follows.



Luminance Meter (TOPCON BM-5A)
Spectroradiometer(TOPCON SR-3)

Note 3: See“10.2 Definition of contrast ratio”.

Note 4: See“10.3 Definition of luminance uniformity”.

Note 5: CIE 1931 Chromaticity Diagram Standard.

Note 6: Product surface temperature: TopF = 33.0 °C

Note 7: See “10.4 Definition of response time”.

Note 8: See “10.5 Definition of viewing angle”.

10.2 Definition of contrast ratio

The contrast ratio is calculated by using the following formula.

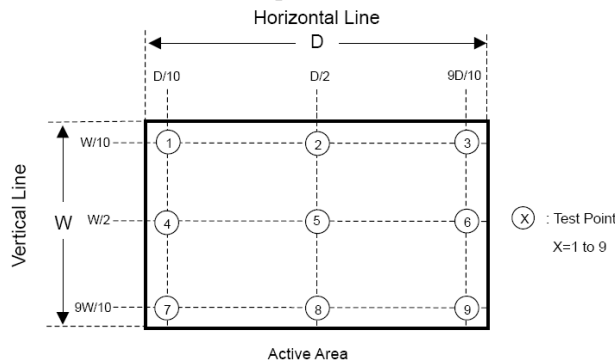
$$\text{Contrast ratio (CR)} = \frac{\text{Luminance of white screen}}{\text{Luminance of black screen}}$$

10.3 Definition of luminance uniformity

The luminance uniformity is calculated by using the following formula.

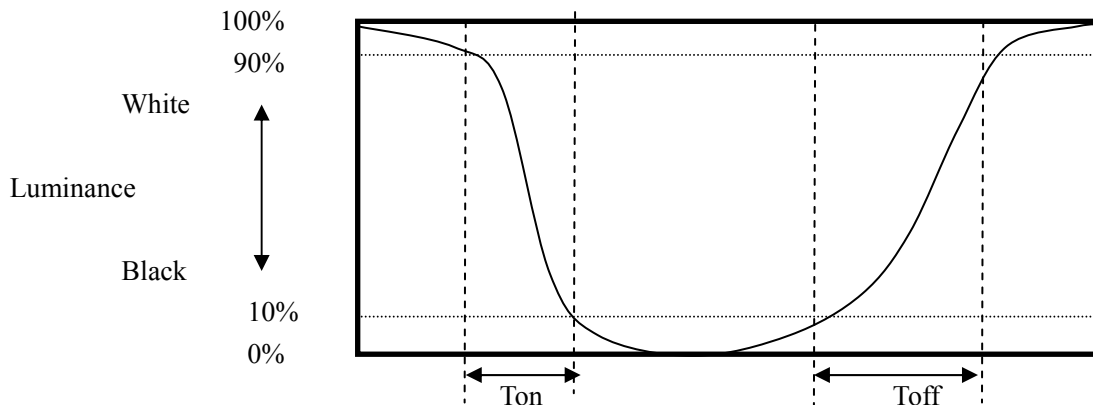
$$\text{Luminance uniformity (LU)} = \frac{\text{Maximum luminance from } \textcircled{1} \text{ to } \textcircled{9}}{\text{Minimum luminance from } \textcircled{1} \text{ to } \textcircled{9}}$$

The luminance is measured at near the 9 points shown below.

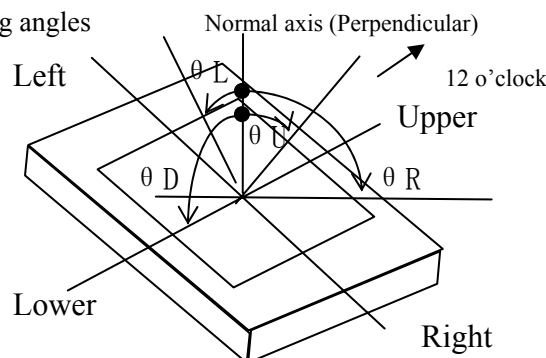


10.4 Definition of response times

Response time is measured, the luminance changes from “white” to “black”, or “black” to “white” on the same screen point, by photo-detector. Ton is the time it takes the luminance change from 90% down to 10%. Also Toff is the time it takes the luminance change from 10% up to 90%. (See the following diagram.)



10.5 Definition of viewing angles



11. MARKINGS

The various markings are attached to this product. See “11.3 INDECATION LOCATIONS” for attachment positions.

11.1 PRODUCT LABEL



Note1: The meaning of OEM number

•Example: TM9WX19A55SA1SA19CF0001



Date code:

1st Character Year Codes

Month	2006	2007	2008	2009	2010	2011	2012	2013	2014	2015	2016	So on
Code	6	7	8	9	0	1	2	3	4	5	6	

2nd Character Month Codes

Month	January	February	March	April	May	June	July	August	September	October	November	December
Code	1	2	3	4	5	6	7	8	9	A	B	C

3rd Character Day Codes

Day	1st	2nd	3rd	4th	5th	6th	7th	8th	9th	10th	11st	12nd
Code	1	2	3	4	5	6	7	8	9	A	B	C

13rd	14th	15th	16th	17th	18th	19th	20th	21st	22nd	23rd	24th
D	E	F	G	H	J	K	L	M	N	P	Q

25th	26th	27th	28th	29th	30th	31st
R	S	T	U	V	W	X

Note2: Do not attach anything such as label and so on, on the product label! In case repair the product, AVIC needs the contents of product label such as the lot number, inspection date and so on, to identify the warranty period with individual product. If AVIC cannot decipher the contents of product label, such repair shall be entitled to charge. Also AVIC may give a new lot number to reconditioned products.

11.2 OTHER MARKINGS

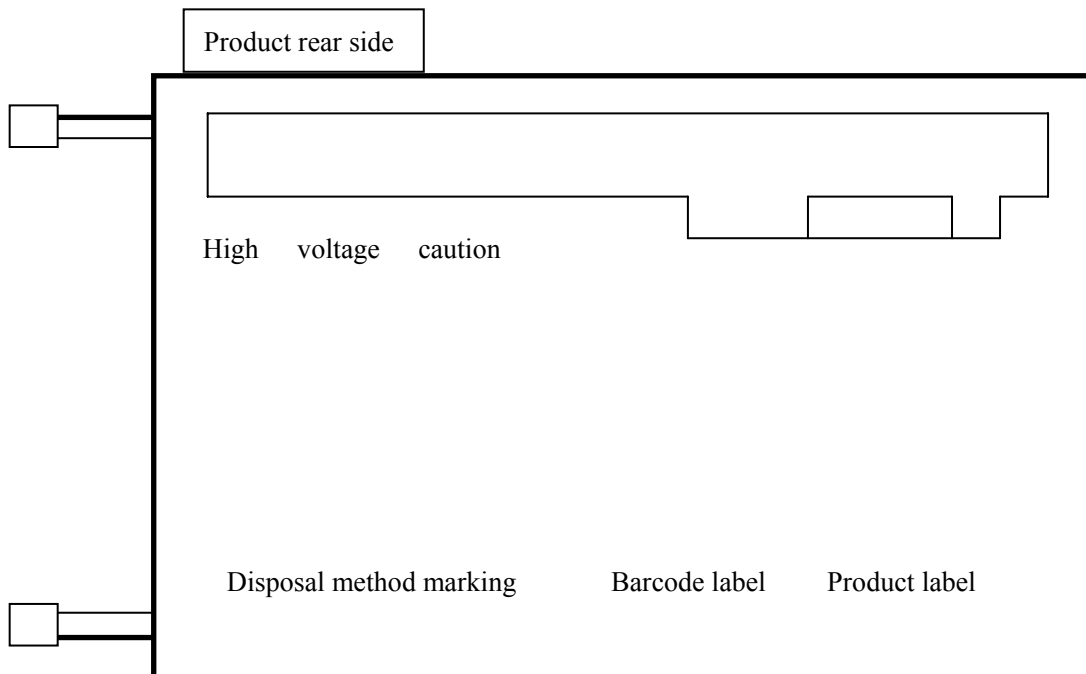
High voltage caution marking



Disposal method marking for lamp



11.3 INDICATION LOCATIONS



12. PACKING, TRANSPORTATION AND DELIVERY

AVIC will pack products to deliver to customer in accordance with AVIC packing specifications, and will deliver products to customer in such a state that products will not suffer from a damage during transportation .The delivery conditions are as follows.

12.1 PACKING

(1) Packing box

8 products are packed up with the maximum in a packing box(See “**12.5 OUTLINE FIGURE FOR PACKING** “). Products are put into a plastic bag for prevention of moisture with cushion, and then the bag is sealed up with heat sealing.

The type name and quality are shown on outside of the packing box, either labeling or printing.

(2)Pallet Packing (See”**12.5 OUTLINE FIGURE FOR PACKING** “)

- ① Packing boxes are tired on a cardboard pallet.(8 boxes×4 tiers maximum)
- ②Cardboard sleeve and top cap are attached to the packing boxes, then they are fixed by a band.

12.2 INSPECTION RECORD SHEET

Inspection record sheets are included in the packing box with delivery products to customer. It is summarized to a number of products for pass/fail assessment.

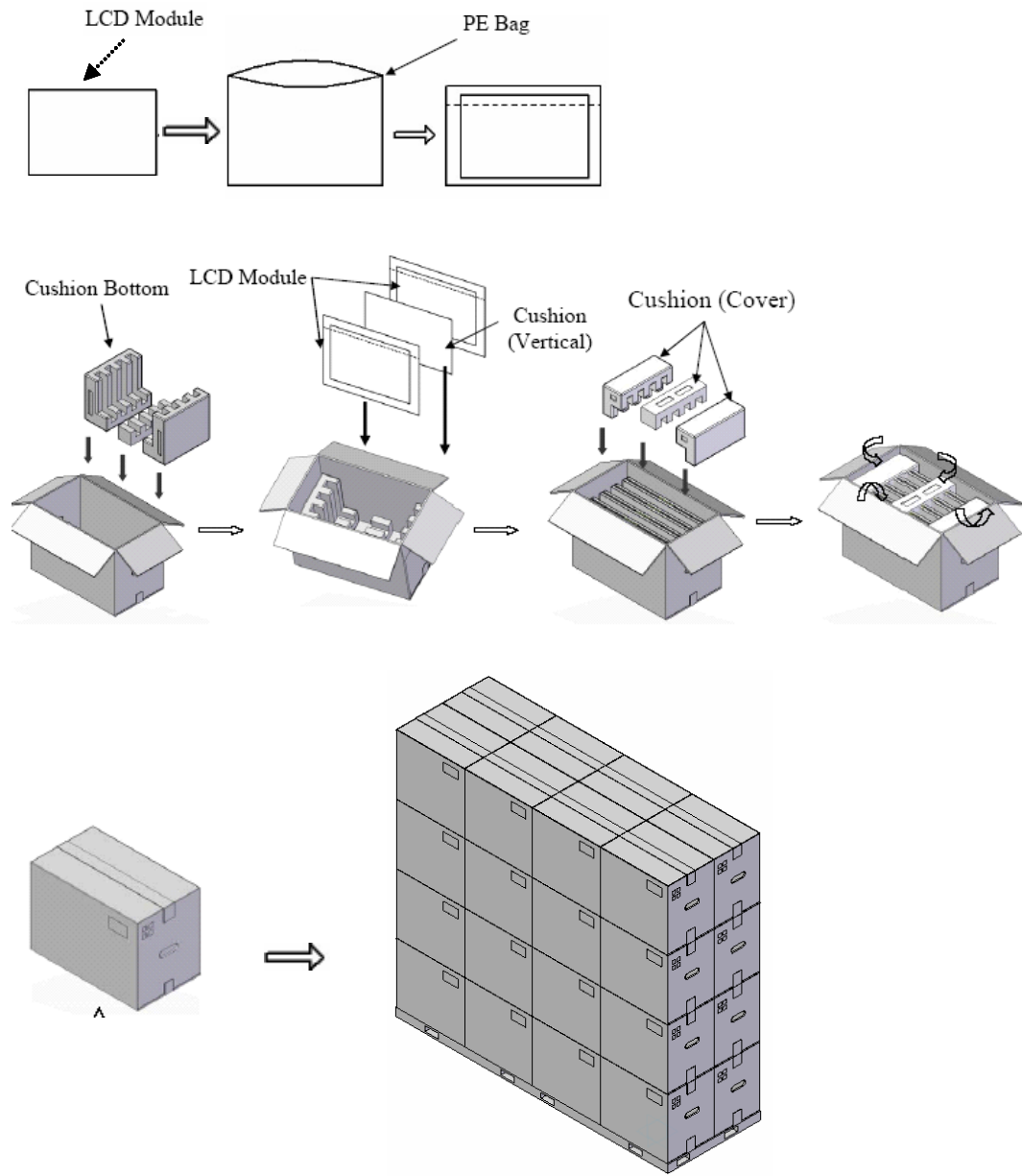
12.3 TRANSPORTATION

The product is transported by vehicle, aircraft or shipment in the state of pallet packing.

12.4 SIZE AND WEIGHT FOR PACKING BOX

Parameter	Packing box	Unit
Size	485 (L) x280 (W) x 330 (H) (typ.)	mm
Weight	2.15 (typ.)	kg
Total weight	17.8 (typ.) (with 8 products)	kg

12.5 OUTLINE FIGURE FOR PACKING



13. PRECAUTIONS

13.1 MEANING OF CAUTION SIGNS

The following caution signs have very important meaning. **Be sure to read “9.2 CAUTIONS” and “9.3 ATTENTIONS”, after understanding these contents!**



This sign has the meaning that customer will be injured by himself or the product will sustain a damage, if customer has wrong operations.



This sign has the meaning that customer will get an electrical shock, if customer has wrong operations.



This sign has the meaning that customer will be injured by himself, if customer has wrong operations.

13.2 CAUTIONS



Do not touch lamp cables while turn on. Customers will be in danger of an electric shock



- * Do not touch the working backlight and IC. Customers will be in danger of burn injury.**
- * Do not shock and press the LCD panel and the backlight! There is a danger of breaking, because they are made of glass.(shock :To be not greater 294m/s^2 and to be not greater 11ms, Pressure: To be not greater 19.6N)**

13.3 ATTENTIONS



13.1 Handling of the product

- ① Take hold of both ends without touch the circuit board when customer pulls out products (LCD modules) from inner packing box. If customer touches it, products may be broken down or out of adjustment, because of stress to mounting parts.
- ② Do not hook cables nor pull connection cables such as flexible cable and so on, for fear of damage.
- ③ If customer puts down the product temporarily, the product puts on flat subsoil as a display side turns down.
- ④ Take the measures of electrostatic discharge such as earth band, ionic shower and so on, when customer deal with the product, because products may be damaged by electrostatic.
- ⑤ The torque for mounting screws must never exceed 0.34N·m. Higher torque values might result in distortion of the bezel.
- ⑥ The product must be installed using mounting holes without undue stress such as bends or twist (See outline drawings). And do not add undue stress to any portion (such as bezel flat area) except mounting hole portion. Bends or twist described above and undue stress to any portion except mounting hole portion may cause display

un-uniformity.

- ⑦ Do not press or rub on the sensitive display surface .If customer clean on the panel surface, AVIC recommends using the cloth with ethanolic liquid such as screen cleaner for LCD.
- ⑧ Do not push-pull the interface connectors while the product is working, because wrong power sequence may break down the product.
- ⑨ Do not bend or unbend the lamp cable at the near part of the lamp holding rubber, to avoid the damage for high voltage side of the lamp. This damage may cause a lamp breaking and abnormal operation of high voltage circuit.

13.2 Environment

- ① Do not operate or store in high temperature, high humidity, dewdrop atmosphere or corrosive gases. Keep the product in antistatic pouch in room temperature, because of avoidance for dusts and sunlight, if customer stores the product.
- ② In order to prevent dew condensation occurring by temperature difference, the product packing box must be opened after leave under the environment of an unpacking room temperature enough. Because a situation of dew condensation occurring is changed by the environment temperature and humidity, evaluate the leaving time sufficiently. (Recommendation leaving time: 6 hour or more with packing state)
- ③ Do not operate in a high magnetic field .Circuit boards may be broken down by it.
- ④ This product is not designed as radiation hardened.
- ⑤ Use an original protection sheet on the product surface (polarizer). Adhesive type protection sheet should be avoided, because it may change color or properties of the polarizer.

13.3 Characteristics

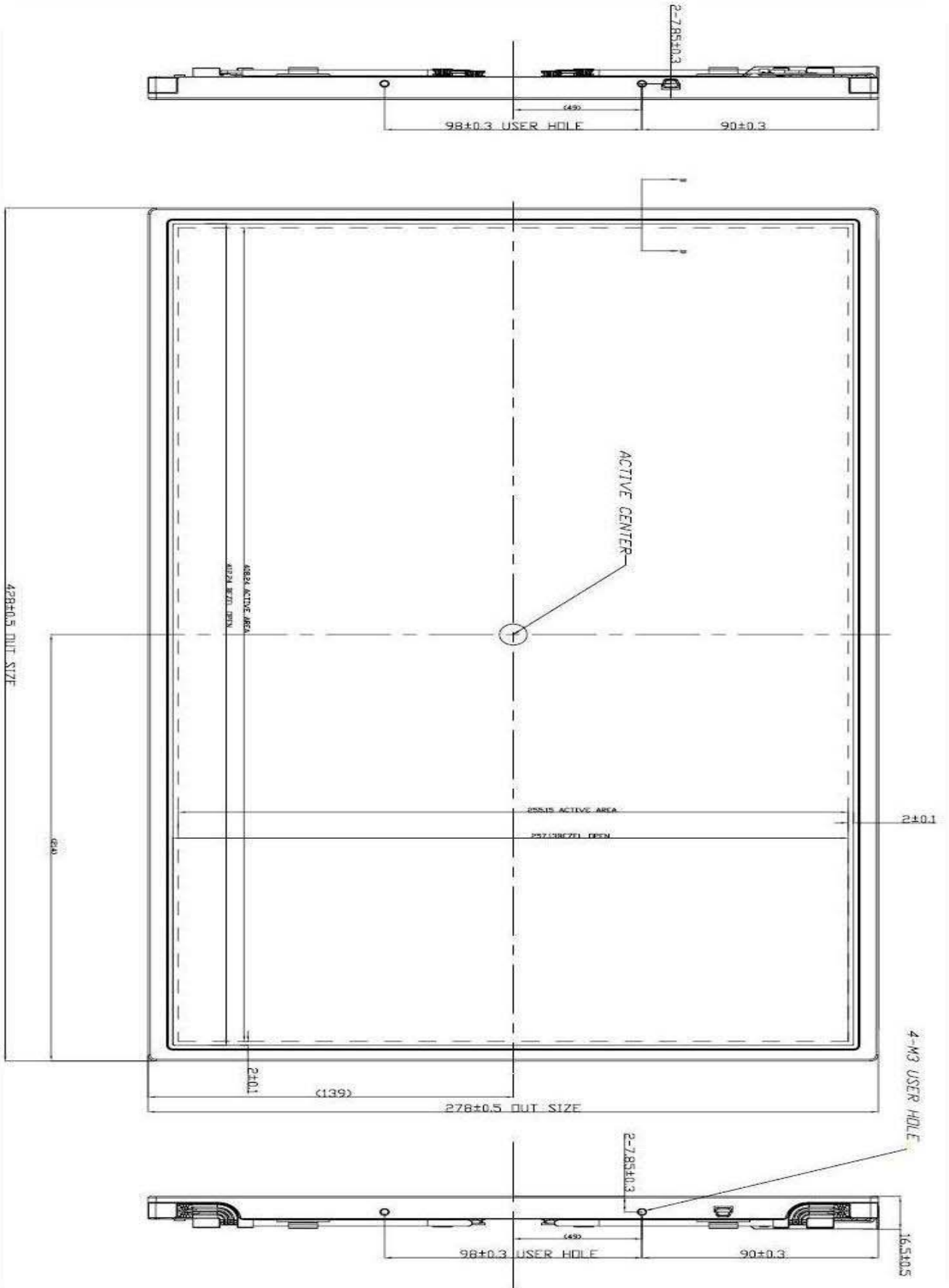
The following items are neither defects nor failures.

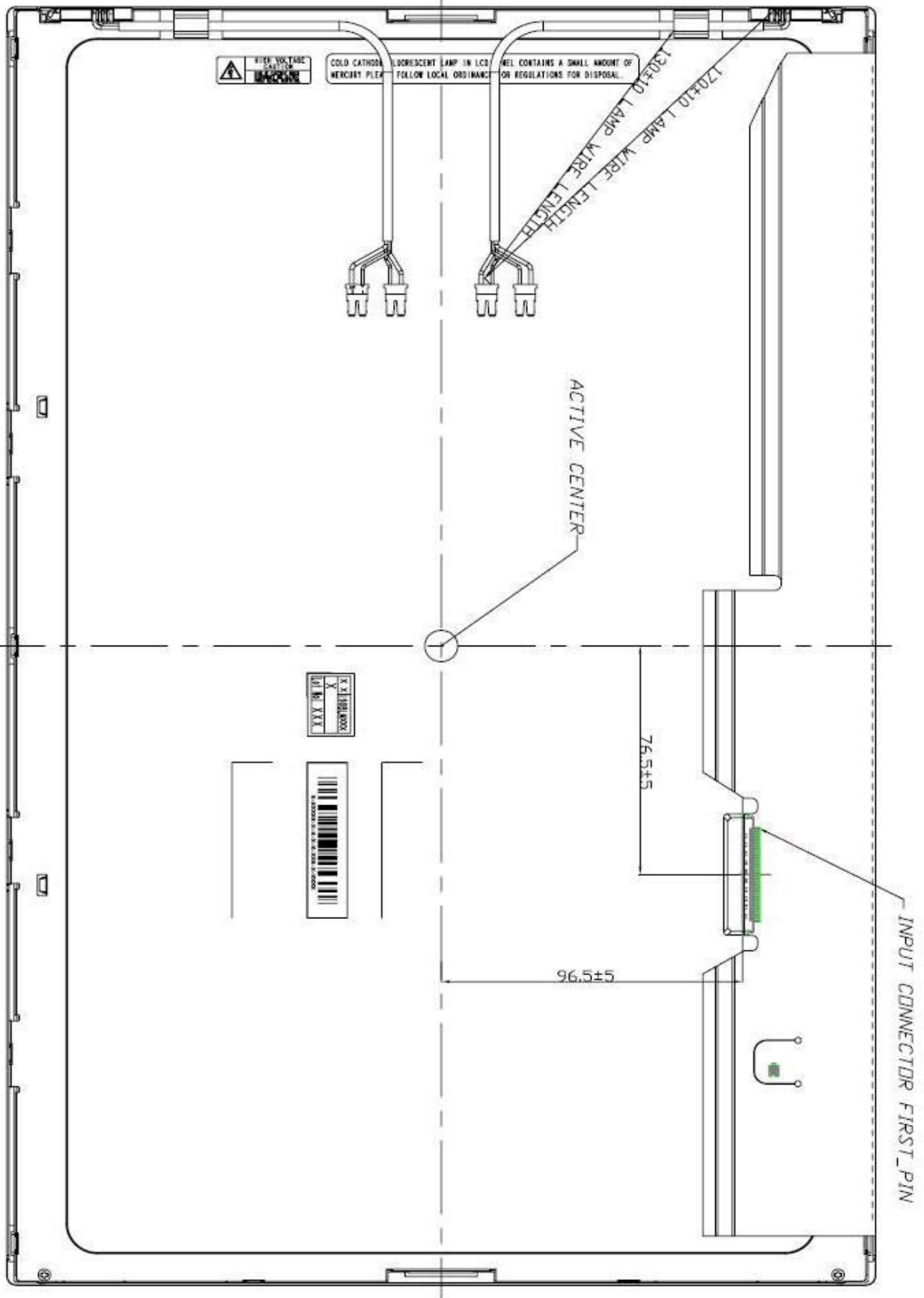
- ① Response time, luminance and color may be changed by ambient temperature.
- ②The LCD may be seemed luminance non-uniformity, flicker, vertical seam or small spot by display patterns.
- ③Optical characteristics (e.g. luminance, display uniformity, etc.) gradually is going to change depending on operating time ,and especially low temperature, because the LCD has cold cathode fluorescent lamps.
- ④Do not display the fixed pattern for a long time because it may cause image sticking .Use a screen saver, if the fixed pattern is displayed on the screen.
- ⑤The display color may be changed by viewing angle because of the use of condenser sheet in the backlight.
- ⑥Optical characteristics may be changed by input signal timings.
- ⑦The interference noise of input signal frequency for this product and luminance control frequency of customer's backlight inverter may appear on a display. Set up luminance control frequency of backlight inverter so that the interference noise doses not appear.

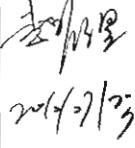

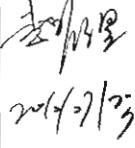


13.4 Other

- ①All GND and VCC terminals should be used without a non-connected line.
- ②Do not disassemble a product or adjust volume without permission of AVIC.
- ③Pay attention not to insert waste materials inside of products, if customer uses screw nails.
- ④Pack the product with original shipping package, because of avoidance of some damages during transportation, when customer returns it to AVIC for repair and so on .
- ⑤Not only the module but also the equipment should be packed and transported as the module. becomes vertical .Otherwise, there is the fear that a display dignity decreases by an impact or vibrations.

14.OUTDRAWING





Rev	Revised date	Main Revision item and sign	Approved by	Checked by	Prepared by	Published date					
1.0	2010-4-9	<table border="1"> <tr> <td rowspan="2">Sign</td> <td>品管</td> <td>营业</td> </tr> <tr> <td>赵振理</td> <td>娄军</td> </tr> </table>	Sign	品管	营业	赵振理	娄军	Shun Jiang	Anfernee Du	Stephen Sun	2010-4-9
Sign	品管	营业									
	赵振理	娄军									
2.0	2010-7-22	<p>New publication</p> <table border="1"> <tr> <td rowspan="2">Sign</td> <td>品管</td> <td>营业</td> </tr> <tr> <td></td> <td></td> </tr> </table> <p>NOTE: Add "Differential input voltage"; Add "Lamp operating lifetime".</p>	Sign	品管	营业			Anfernee Du		Stephen Sun	2010-7-22
Sign	品管	营业									
	