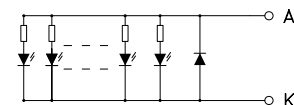
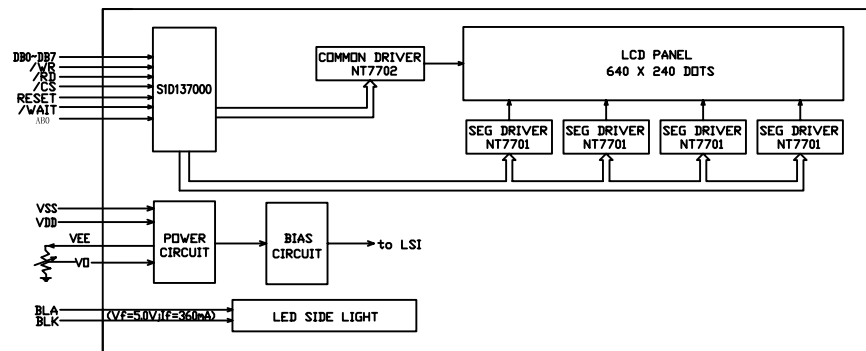


1	2	3	4	5	6	7	8	9	10	11	12	13	14	15	16	17	18	19	20
V0	VSS	VDD	VEE	/WR	/RD	/CS	/WAIT	/RESET	A0	DB0	DB1	DB2	DB3	DB4	DB5	DB6	DB7	BLA	BLK



LED Circuit (LED: 24pcs White)

NOTES:

1. OPERATING TEMPERATURE: -20°C TO 70°C
STORAGE TEMPERATURE: -30°C TO 80°C
2. LCD MODEL: FSTN/NEGATIVE/TRANSMISSIVE
3. 1/240 DUTY, 1/17 BAIS, VDP=25V, VDD=3.3V
4. VIEWING ANGLE: 600 °CLOCK
5. LED B/L: WHITE
6. LCD CONTRAST: 26.9(REF.)
7. 40M CRYSTAL, Core VDD=3.3V
8. ROHS STANDARD

CUSTOMER APPROVE		AMEND		NO.	NAME	QTY	Part No.
Mechanical	Electrical	△	改VDD为3.3V	2006/12/14	MULTI-INNO TECHNOLOGY CO.,LTD.		
		△	MODIFY BIAS, VOP & CONNECTOR	2006/06/21	TOLERANCE DECIMAL		PRODUCT NO. MI640240A-T
		△		2006/06/01	.x ± .30	DWN	2006/06/21
		△		2006/05/29	.xx ± .20	DSN	2006/06/21
		NO.	CONTENT	DATE	± 1/4°	CHKD	2006/06/21
						APPD	2006/06/21
						NOT IN SCALE	UNIT mm SHEET: