

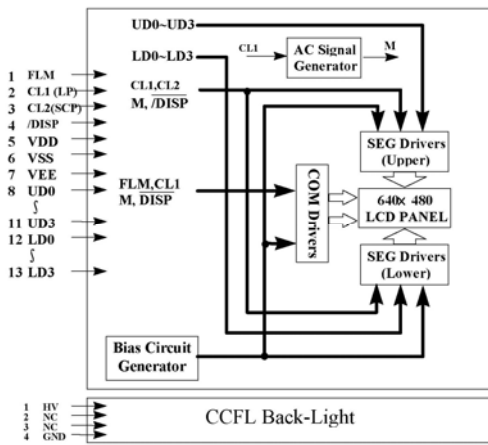


MI640480C

SERIES:

- Display Format:** 640(H)×480(V) dots
- Driving Method:** 1/240 Dual Scan ,1/13 Bias
- Display Type:** FSTN, Positive/Negative Optional, Tranmissive/Transflective Optioanl
- Viewing Direction:** 6 O'clock
- OPERATING TEMP.:** 0°C ---- 50°C
- STORAGE TEMP.:** -20°C ---- 70°C
- Backlight Type:** CCFL Backlight

BLOCK DIAGRAM:

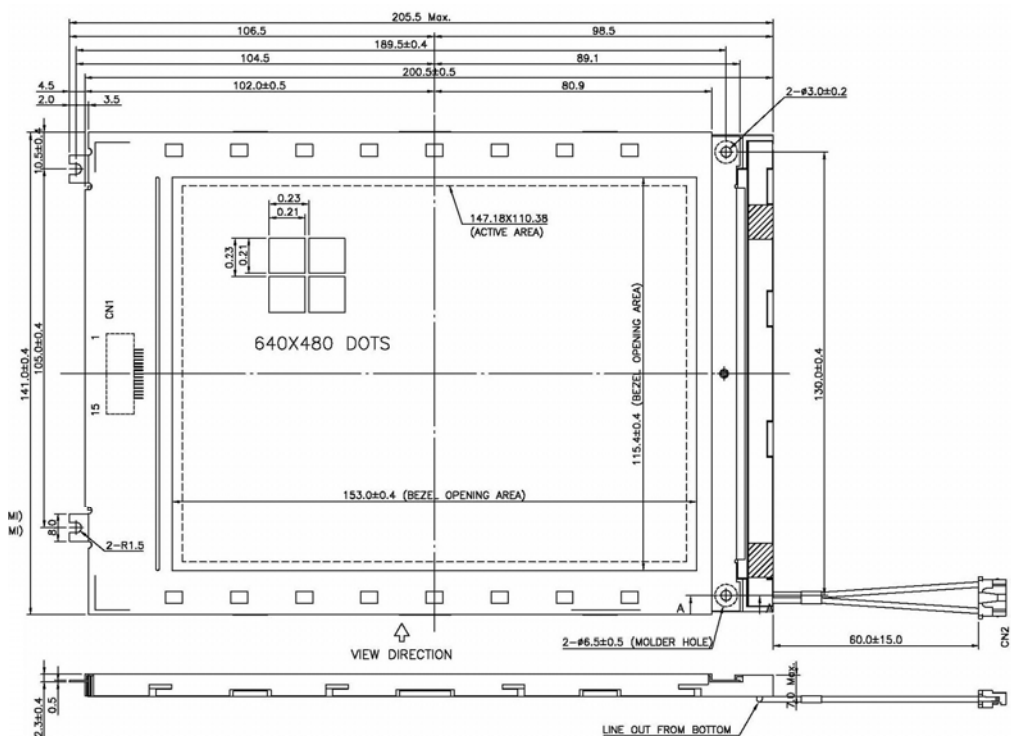


ELECTRICAL CHARACTERISTICS :

Item	Symbol	Test Condition	Standard Value			Unit
			Min	Typ	Max	
Supply Voltage(Logic)	V _{DD}		3.0	3.3	3.6	V
			4.75	5.0	5.25	V
Supply Voltage(LCD)	VEE	VDD=5.0V	21	22.5	24	V
Supply Current	IDD	VDD=5.0V	--	3.0	6.0	mA
	IEE	FLM=70Hz	--	15	30	mA
Input Voltage High	VIH		0.8 V _{DD}	V _{DD}	--	V
Input Voltage Low	VIL		--	V _{SS}	0.2V _{DD}	V
Supply Voltage of CCFL	VLB05	Ta=25°C	--	350	--	Vrms
Supply Current for CCFL	I _{CCFL}		--	5	--	mA

EXTERNAL DIMENSIONS :

Pin	1	2	3	4	5	6	7	8	9	10	11	12	13	14	15		CCFL	1	2	3	4
Symbol	FLM	CL1	CL2	/DISP	V _{DD}	V _{SS}	V _{EE}	UD0	UD1	UD2	UD3	LD0	LD1	LD2	LD3			HV	NC	NC	GND



Tolerance no specified: ±0.5mm